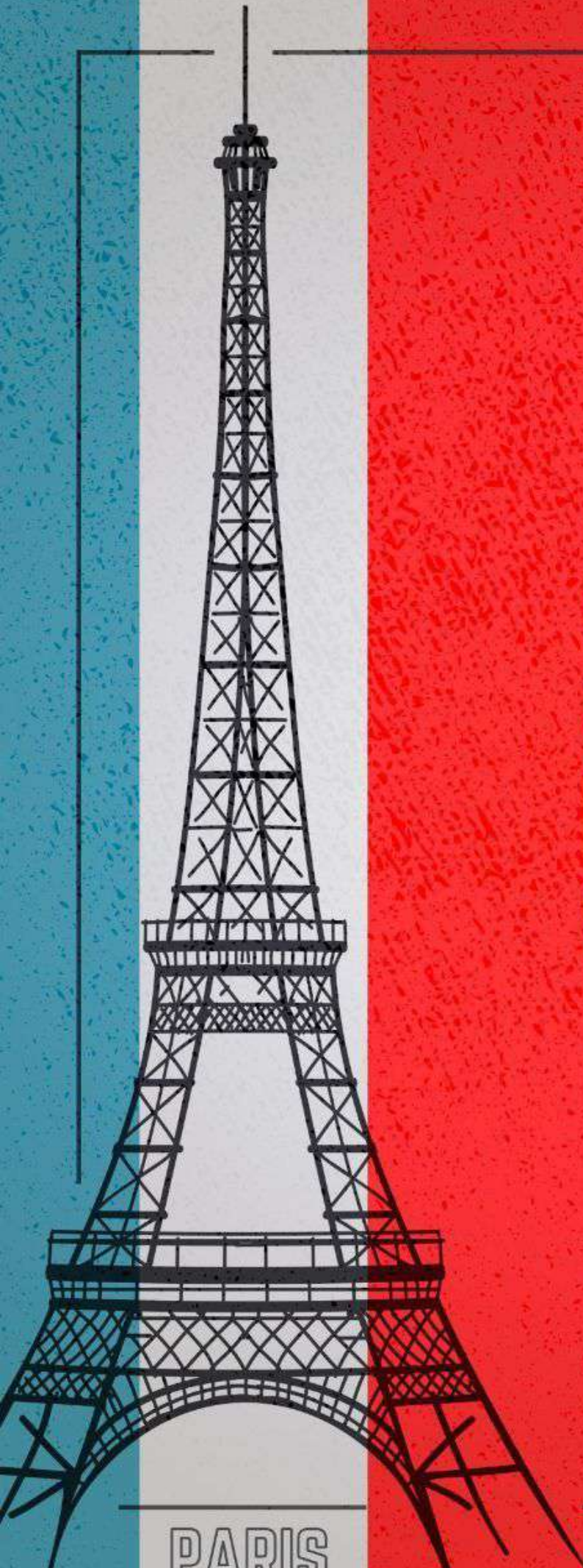




UNIVERSAL
CONFERENCE

**INTERNATIONAL
SCIENTIFIC
INNOVATION
RESEARCH
CONFERENCE**



PARIS

universalconference.us

**INTERNATIONAL SCIENTIFIC
INNOVATION RESEARCH CONFERENCE**
Volume 01, Issue 08, 2024 (16-DECEMBER)

Editor in Chief

Dr. Rajeev Ojha - Interdisciplinary Research in Basic Sciences, Jamia Millia Islamia, New Delhi -110025, India

Editorial Team

Sunita Sarawagi - Indian Institute of Technology Bombay, Mumbai, India.

Dr Manjunatha LH - Professor, REVA University, INDIA

Asish Bera - Edge Hill University, UK, BITS Pilani, India

Dr Sunildro LS Akoijam - Assistant Professor of Management, North Eastern Hill University, India

Madan Mohan Singh - Professor of Mathematics, North-Eastern Hill University, Shillong, India

Dr. Anupam Singh - Associate Professor-CSE, Graphic Era Hill University Dehradun, India

Dr. Sargam Bahl Walia - School of Management, Graphic Era Hill University, Dehradun, Uttarakhand, India

Narayan Pradhan - Indian Association for the Cultivation of Science

Ashok Kumar - Kumar Associate Professor E&CE National Institute of Technology, Hamirpur, India.

Anjali Pal - Department of Civil Engineering, Indian Institute of Technology Kharagpur - 721302, India.

Rajnish Joshi - Professor of Medicine, All India Institute of Medical Sciences, Bhopal, India

Mukul Kumar - IIT Mumbai (India); Meijo University (Japan); HEG Ltd. (India)

Prof. Kuruvilla Joseph - Indian Institute of Space Science and Technology (IIST)

Prof. Yogesh C. Sharma - D.Sc., FRSC, FBRs, FIAPS; FISEES, Department of Chemistry, Indian Institute of Technology

Professor Indra Mani Mishra - Indian Institute of Technology (Indian School of Mines), Dhanbad; Formerly at India

ЧИГИТЛИ ПАХТАНИ САҚЛАШ МЕЪЁРЛАРИ

Доцент У.П. Хайдаров

Тошкент тўқимачилик ва енгил саноат институти

Ушбу мақолада асосан пахта тозалаш корхоналарининг тайёрлов пунктларида сақланаётган пахта толасининг ҳамда ёғ-мой саноати учун энг муҳим ҳисобланган чигитнинг табиий хусусиятларини сақлаш билан боғлиқ меъёрий масалалар ёритилган.

В статье освещены актуальные вопросы, связанные с хранением хлопка-сырца в заготовительных пунктах с целью сохранения природных свойств волокна и семян, как посевного материала и сырья для маслобойной промышленности.

In article the topical issues connected with storage of cotton raw in procuring points for the purpose of preservation of natural properties of fiber and seeds, as sowing material and raw materials for the oil milling industry are taken up.

Пахта толасини қайта ишлаш борасида хорижий инвестицияларни кенг кўламда татбиқ этиш орқали рақобатбардош, харидоргир маҳсулотларни яратиш стратегиясини ишлаб чиқиш, сўнгра сотишни йўлга қўйиш кераклигини таъкидлаб ўтди.

Пахта асосан сентябр, октябр ва ноябр ойларида тайёрланади. Пахта тозалаш корхоналари шу уч ой давомида бир мавсумда тайёрланган пахтанинг фақат 20% ини ишлай олади. Пахтанинг қолган асосий қисмини узоқ вақтга сақлашга тўғри келади.

Чигитли пахтани сақлаш учун сифими 750, 1500, 3000, 4500 ва 6000 т темир-бетон деталлардан йиғилган, пишиқ ёки хом ғиштдан қурилган ёпик омборлар, тўрт томони очик шийпонлар ёки бутунлай очик майдончалардан фойдаланилади.

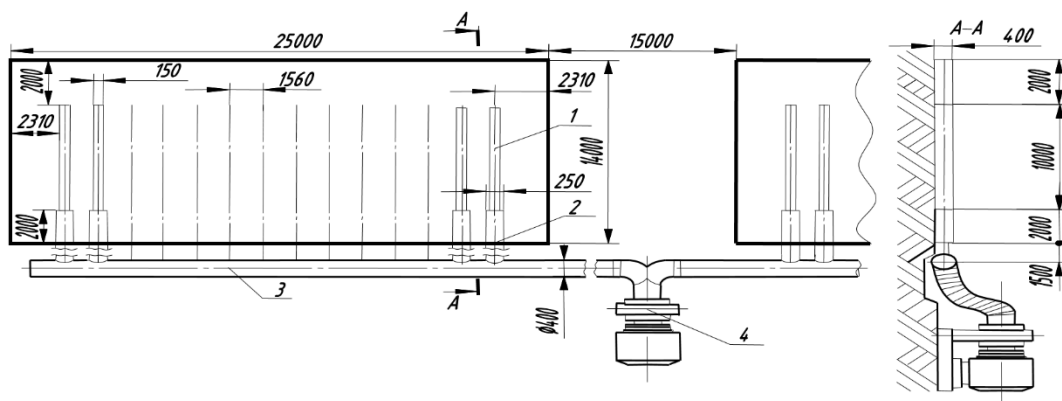
Чигитли пахтани очик майдончаларда сақлаш учун пахта тайёрлаш пункти худудида ер юзасидан 400 мм кўтарилган махсус бунтлаш майдончалари тартибли равишда қурилади. Бунтлаш майдончаларининг ўлчамлари 25x14, 22x11 ва 11x10 м бўлади. Сақланадиган пахтанинг ўртача зичлиги 200 кг/м³ бўлганда 25x14x3 м ли бунтга 560 т ва 22x11x8 м ли бунтга 380 т I, II ва III сорт пахта хом ашёсини жойлаш мумкин. IV ва V сорт пахтанинг намлиги юқори бўлганлиги ва толаларнинг илашиш кучи кам бўлгани учун одатда ёпик омборларда сақланади.

I ва II сорт пахта бунтланганда 12...15 кун ўтгач узунасига бир ва кўндалангига бир туннел, II,IV ва V сорт пахта учун узунасига бир ва кўндалангига ҳар 5 мга бир туннел қавланади. Туннелларнинг баландлиги 1,5 м, эни 0,6 м бўлиши керак.

Сақланаётганда қизиқ кетмаслиги учун пахтани ҳар 5 кунда лаборатория ходимлари текшириб туришлари керак. Пахтанинг ҳароратини аниқлаш учун термошчуп бунтнинг 8 нуқтасида 3 м чуқурликка, ёпиқ омбор ва шийпонларда эса 4 нуқтада пахта баландлигининг ярмигача киритилиб ўлчанади.

Агар пахта температураси сентябр-октябр ойлари учун 30⁰ гача ва бошқа ойларда 20⁰ гача бўлса, нормал ҳисобланади. Пахтанинг температураси келтирилган чегарадан юқори ёки иккинчи марта ўлчалганда олдинги ўлчовга қараганда 2...3⁰ ортиқ бўлса, уни албатта совитиш чораларини кўриш керак.

Бунтларда сақланаётган пахта қизиганда ундан нам ҳавони сўриб олиш учун махсус стационар ускуна қурилади (расм).



Расм. Пахта ғарами (бунти)дан ҳавони сўриб олиш схемаси.

Бу ускуна 25x14 м ли майдончада металл панжара қопқоқлар билан ёпилган 14 та канал 1 дан иборат бўлиб, бу каналлар трубалар 2 орқали умумий труба 3 га ва икки бунтдан ҳаво тортадиган ВЦ-10 маркали вентилятор 4 га улаб қўйилади.

Бундай ускуна жадвалда келтирилган муддатларда ишлатиб турилса, сақланадиган пахта хом ашёсининг табиий сифати 5-6 ойгача бузилмайди.

Саноат учун муҳим бўлган толалар assortименти 1-жадвал

Пахта толасининг типи	Штапел узунлиги, мм	Метрик номери	Нисбий узилиш кучи, сН/текс	Саноат учун муҳимлик даражаси, %
1	39-40	7500	37,5	3,0
2	38-39	7000	35,0	4,0
3	37-38	6500	33,5	3,0

4	35-36	5800	28,5	10,0
5	33-34	5400	26,5	64,0
6	32-33	5000	25,5	10,0
7	30-31	5000	25,0	6,0

Жадвалда кўриниб турибдики, 1,2 ва 3-тип ингичка толали ғўза турига мансуб бўлиб, асосан республикамизнинг Сурхондарё ва Қашқадарё вилоятларида яхши ҳосил беради. Бу эса умумий пахта майдонининг қарийб 15% ини ташкил этади, холос.

Қолган тўрт типдаги толалар ўрта толали ғўзалардан олинади. Булар тезпишар ва ҳосилдор ғўзалар ҳисобланиб, Республикамиз пахта майдонларининг деярли 85 %ини ташкил этади.

Бу ерда шуни таъкидлаб ўтиш ўринлики, ингичка толали пахта толаси кимматбаҳо, узун, ингичка ва пишик тола сирасига кириб, ундан олий сифатли сатин, батист ва трикотаж махсулотлари тўқиб чиқарилади.

Туртинчи тип оралик тола ҳисобланиб, ундан хар хил иплар ва матолар ишлаб чиқарилади.

Бешинчи тип асосий тола ҳисобланиб, ундан харидоргир ички кийимлар, кўйлақлар ва бошқа турдаги жуда кўп матолар тўқилади.

Олтинчи ва етинчи тип толалардан асосан меланж саноатида ва бошқа керакли жойларда фойдаланилади.

Юқорида таъкидлаб ўтилган муаммоларнинг ечимини топиш мақсадида кафедрамиз ўқитувчилари томонидан институтимизнинг пахтани дастлабки ишлаш кафедраси профессор-ўқитувчилари билан ҳамкорликда пахтани дала шароитида марказлаштирилган хирмонларда, табиий манбалардан куёшдан фойдаланиб қуриштириш ва уни майда ифлосликлардан тозалаш бўйича илмий-ишларни амалда (2017 йилнинг куз мавсумида) қўллаш режалаштирилди.

Фойдаланилган адабиётлар:

1. Мирзиёев Ш.М 2016 йил 21 декабрдаги “2017-2019 йилларда тўқимачилик ва тикув-трикотаж саноатини янада ривожлантириш чора- тадбирлари дастури тўғрисида”ги маърузаси Халқ сўзи, 22.12.2016.
2. Парпиев А.П Основы комплексного решения проблем сохранения качества волокна и повышения переработки хлопка-сырца. Дисс. НА соискание ученой степени д.т.н. Кострома. 1990.
3. Усмонкулов А.Қ Повышение эффективности процесса сушки хлопка-сырца в барабанной сушилке. Дисс. на соискание ученой степени к.т.н. Ташкент. 2001.

УДК: 617.55-089.844/616-056.5+616-08-039.71

UNRESOLVED QUESTIONS FOR BARIATRIC SURGERY SURVEY RESTORERS

Khamdamov I.B.

*PhD, docent at the Department of Surgical Diseases
Bukhara State Medical University named after Abu Ali Ibn Sina*

Summary. Laparoscopic longitudinal resection of the stomach (LSG) is a relatively new restrictive bariatric surgery, the popularity of which is increasing every year. However, many issues related to the indications for this surgery, its complications and results require detailed consideration.

Key words: obesity, obesity treatment, bariatric surgery, laparoscopic longitudinal resection of the stomach, bariatric surgery, sleeve gastrectomy.

Relevance. Longitudinal gastrectomy (LG) (sleeve resection, sleeve gastrectomy) is a relatively new bariatric surgery, first described as a restrictive stage of the operation known since 1988 – biliopancreatic diversion/duodenal switch, hereinafter referred to as BPSH [1, 2,6,8,10,12,14,16,18]. It is known that in the 1990s, when performing open LG, it was necessary to divide technically complex operations into stages in some patients, limiting themselves to LG at the first stage. However, the surgeons who performed these operations (G. Anthone, P. Marceau, etc.) did not emphasize that LG can be a self-sufficient and, moreover, an innovative operation. Since 2000, as the laparoscopic technique of BPSH (M. Gagner) was mastered, RP has increasingly been performed as a deliberate first stage of surgery in patients suffering from extreme obesity with a high surgical risk. It turned out that many patients after RP lost weight so much that the need for the second stage of the operation (intestinal bypass) disappeared [3, 4,20,21,22,23,24,25,26].

During the period 2004–2009, slightly more than 18,000 RPs were performed worldwide, which amounted to only 5.3% of the total number of bariatric surgeries for that period, however, subsequently the frequency of RP use gradually continued to increase [11, 13,15, 17,19,27,28]. According to a survey of Uzbek bariatric surgeons in 2011, SG was the second most common bariatric surgery in Uzbekistan (33.9%), only slightly behind gastric banding (37.1%). According to the results of a survey presented by H. Buchwald at the IFSO World Congress in 2012, the frequency of this surgery in the world and Europe in 2011 was 27.8% [5]. Despite the fact that SG has been constantly discussed in recent years at all World and

regional congresses and even at special thematic events (Summits, Consensus on Sleeve Gastrectomy), many issues related to both the indications for this surgery and the technical nuances of its implementation have not yet been considered from a unified position. Thus, there is no consensus on the optimal diameter of the gastric tube, whether the antral part of the stomach should be left or resected, whether the gastric suture line should be peritonized or covered by other of the many proposed methods. There is also no consensus on the place of this operation among other known surgical techniques (banding, gastric bypass, biliopancreatic bypass, gastroplication, etc.). The results of comparative studies on weight correction and type 2 diabetes mellitus (T2DM) after PG are also quite contradictory. The contingent of patients who have undergone PG is also quite heterogeneous: from super obesity to patients with a body mass index (BMI) of less than 40 and even less than 35 kg/m². The ambiguous results obtained in the analysis of fairly heterogeneous groups of patients do not provide a complete picture of the possibilities of this operation as an independent method of surgical treatment. The issue of using RP in children and adolescents, as well as in patients with type 2 diabetes with slight excess weight, is also controversial. And, perhaps, the least studied topic is the topic concerning the remote (10 years or more) results of RP, since there are no significant cohorts of patients who could be followed up in the specified time frame, especially in the absence of universal technical approaches and patient selection for this operation.

Objective. Evaluation of the effectiveness of RP in patients with different degrees of obesity, the frequency of early and late postoperative complications and possible side effects

Materials and methods. This work is based on an analysis of the results of examination and treatment of 159 patients with various types of external hernias of the anterior abdominal wall, who were examined and inpatiently treated in the 1st surgical department of the Bukhara Regional Multidisciplinary Medical Center and the Department of Thoracoabdominal Surgery of the Multidisciplinary Clinic of the Tashkent Medical Academy for the period from 2011 to 2023. The analyzed material included women of reproductive age who planned to have children in the future. The control group consisted of all women with hernias of the anterior abdominal wall who underwent traditional hernial orifice repair without the use of allomaterial. The main group is all women with hernias of the anterior abdominal wall who underwent alloplasty according to our recommendations. Research results and discussion.

The age of the patients operated on ranged from 16 to 68 years (mean age 39.1±10.7 years), the male/female ratio was 55:208, the average body weight of the patients

was 113.9 ± 21.34 kg (from 81 to 171 kg), the average BMI was 40.1 ± 6.1 (from 30.1 to 59.5) kg/m².

Nevertheless, the overall group of patients seems to be quite heterogeneous, therefore, to analyze the results in terms of body weight loss, all patients operated on were divided into 5 groups depending on the initial BMI. The table presents only patients (n=218) for whom the results are known at the established control periods, starting from 3 months after the operation.

The analysis did not include patients who underwent open laparotomy, including the only patient who underwent conversion to laparotomy due to a pronounced adhesion process. The RP was performed for generally accepted indications in bariatric surgery: in patients with morbid obesity (BMI > 40 kg/m²), or in patients with BMI > 35 kg/m² in the presence of obesity-associated diseases or socio-psychological factors associated with excess weight. In 139 patients who underwent RP (52.8%), the initial BMI was less than 40 kg/m², and in 45 it was less than 35 kg/m². These were patients who had ever had a BMI over 40, patients with a lower BMI, and those who had medical problems associated with excess body weight, including diabetes. The latter was diagnosed in 25 (9.5%) patients. When determining the indications for surgery in patients with a BMI of less than 35 kg/m², we were guided by the provisions of the Interdisciplinary European Guidelines for Bariatric and Metabolic Surgery [6, 7]. To assess the treatment results, the percentage of excess body weight loss (% Excess Weight Loss, or % EWL) after surgery was calculated over time (lost body weight in kg/initial excess body weight in kg × 100%). There was no postoperative hospital mortality. In the early postoperative period (in the first 30 days after surgery), surgical complications were observed in 11 patients (4.2%) and included: gastric suture failure - 6 (2.3%), intra-abdominal bleeding - 4 (1.5%), perigastric abscess - 1 (0.4%). In 9 of the 11 cases, laparoscopic revision was required to eliminate complications. In one patient, leakage was diagnosed the day after surgery by characteristic discharge through the drainage and verified after a methylene blue test. After suturing the hole in the body of the stomach, the patient recovered without further complications. In another patient, the development of a covered leakage of the suture in the body of the stomach was diagnosed on the 4th day at the site of stapler suturing of the tube during surgery. In this observation, in conditions of delimitation of the leakage zone, surgical revision was not required, recovery occurred after conservative treatment under conditions of total parenteral nutrition and nasogastric decompression. The patient was discharged from the clinic on the 7th day after the surgery. In three cases of suture failure on the 4th to 8th day after surgery, sanitation laparoscopy was performed with drainage of the failure zone

and leaks, and the transfer of patients to parenteral nutrition under nasogastric decompression. Attempts to suture the failure zone in the upper part of the stomach during revision were unsuccessful in these cases. Closure of the chronic fistula was noted at 7 months after PRZh. Treatment of another patient took about 3 months; fistula closure was achieved after repeated sessions of endoscopic administration of adhesive substance. In other cases, fistulas closed spontaneously, without additional manipulations, within 2 weeks to 6 months. Intra-abdominal bleeding, for which revisions were performed, usually occurred from trocar punctures and no longer continued by the time of revision. During the sanitation, blood clots were removed, hemostasis was achieved in the area of possible sources of bleeding. The maximum average weight loss was observed 2 years after the PRZ (75.3 ± 25.9), with the result deteriorating slightly thereafter (63.7 ± 26.9 after 5 years and 61.2 ± 34.9 after 6 years after the surgery). The percentage of excess weight loss varied in the groups depending on the initial BMI. Excellent results, i.e. the final weight approaching the ideal characteristics, with one postoperative complication (2.5%) were demonstrated in the group of patients with an initial BMI of less than 35. It should be noted that the result of the surgery in this group was the most stable (% EWL after 48 months $91.7 \pm 29.3\%$). As the BMI increased, the maximum % EWL decreased, on the other hand, the tendency to regain the lost weight after reaching the maximum values became more pronounced. Thus, the loss of excess body weight 36 months after RP in patients with a BMI of 45 to 50 kg/m² was $46 \pm 3.3\%$, and in patients with a BMI > 50 kg/m² – only $34.4 \pm 6.2\%$.

Conclusions: 1. PRZH is a promising, fairly safe and effective surgery for obesity, which can be considered both as an independent surgery and as the first stage of more complex bariatric surgeries.

2. The maximum average percentage of excess body weight loss after PRZH was 75% within 12-24 months after surgery and depended on the initial BMI: with an increase in BMI, this figure decreases.

3. In case of extreme obesity, the maximum rates of body weight loss (50.2%) are observed one year after surgery, after which there is a clear tendency for them to worsen.

4. In patients with an initial BMI < 35, by the end of the first year, body weight indicators close to ideal were achieved. Patients maintained the achieved result even 5 years after surgery, which justifies the use of PRZH in this group of patients.

LITERATURE

1. Spaziani T.S., Di Cello P., Lo Bianco G. "All In One Mesh Hernioplasty" device for inguinal hernia repair. Results of 400 cases // Ann. Ital. Chir. – 2018. – Vol. 89. – P. 438–442.
2. Steensel S., Hil L., Bloemen A. Prevention of incisional hernia using different suture materials for closing the abdominal wall: a comparison of PDS, Vicryl and Prolene in a rat model // Hernia. – 2020. – Vol. 24, № 1. – P. 67-78.
3. Trippoli S., Caccese E., Tulli G. Biological meshes for abdominal hernia: Lack of evidence-based recommendations for clinical use // Int. J. Surg. – 2018. – Vol. 52. – P. 278–284.
4. Zhang L. Incidence of abdominal incisional hernia in developing country: a retrospective cohort study // Int J Clin Exp Med. – 2015. – Vol. 8, № 8. – P. 13649-13652.
5. Zucker B.E., Simillis C., Tekkis P., Kontovounisios C. Suture choice to reduce occurrence of surgical site infection, hernia, wound dehiscence and sinus/fistula: a network meta-analysis // Ann R Coll Surg Engl. – 2019. – Vol. 101, № 3. – P. 150-161.
6. Khamdamov I.B. Improving tactical approaches in the treatment of hernias of the anterior abdominal wall in women of fertile age // Tibbiyotda Yangi kun. Bukhoro, 2022.-№10(48)- pp. 338-342.
7. Khamdamov I.B. Morphofunctional features of the abdominal press in women of reproductive age // Tibbiyotda Yangi kun. Bukhoro, 2022.-№3(41)- pp. 223-227.
8. Khamdamov I.B. Clinical evaluation of the effectiveness of the traditional approach to the treatment of hernias of the anterior abdominal wall in women of fertile age // Doctor's Bulletin. –Samarkand 2022. No. 2.2 (104).-P.65-70.Khamdamova M.T. Ultrasound features of three-dimensional echography in assessing the condition of the endometrium and uterine cavity in women of the first period of middle age using intrauterine contraceptives // Biology va tibbyot muammolari. - Samarkand, 2020. - No. 2 (118). - P.127-131.
9. Khamdamova M. T. Ultrasound assessment of changes in the endometrium of the uterus in women of the first and second period of middle age when using intrauterine and oral contraceptives // Биомедицина ва амалиёт журнали. – Ташкент, 2020. - №2. - 8 часть. - С.79-85.
10. Khamdamov I.B., Khamdamov A.B. Endovideosurgical hernioplasty in women of fertile age // New day in medicine. 2021. №6 (38/1).P.25-27.

11. Khamdamova M. T. Anthropometric characteristics of the physical status of women in the first and second period of middle age // A new day in medicine. Tashkent, 2020. - № 1 (29). - С.98-100.
12. Khamdamov I.B., Khamdamov A.B. Classification and properties of mesh explants for hernioplasty of hernial defects of the anterior abdominal wall (review) // Biology and integrative medicine. ISSN 2181-8827 2021. №5 – March, April (52).C.12-22.
13. Khamdamova M.T. Age-related and individual variability of the shape and size of the uterus according to morphological and ultrasound studies // News of dermatovenereology and reproductive health. - Tashkent, 2020. - No. 1-2 (88-80). - P.49-52.
14. Khamdamova M.T. Ultrasound features of three-dimensional echography in assessing the condition of the endometrium and uterine cavity in women of the first period of middle age using intrauterine contraceptives // Biology va tibbyot muammolari. - Samarkand, 2020. - No. 2 (118). - P.127-131.
15. Khamdamova M. T. Ultrasound assessment of changes in the endometrium of the uterus in women of the first and second period of middle age when using intrauterine and oral contraceptives // Биомедицина ва амалиёт журнали. – Ташкент, 2020. - №2. - 8 часть. - С.79-85.
16. Khamdamova M. T. Anthropometric characteristics of the physical status of women in the first and second period of middle age // A new day in medicine. Tashkent, 2020. - № 1 (29). - С.98-100.
17. Khamdamova M.T. Age-related and individual variability of the shape and size of the uterus according to morphological and ultrasound studies // News of dermatovenereology and reproductive health. - Tashkent, 2020. - No. 1-2 (88-80). - P.49-52.
18. Khamdamova M.T. Features of ultrasound parameters of the uterus in women of the first and second period of middle age using injection contraceptives // New day in medicine. Bukhara, 2020. - No. 2/1 (29/1). - P.154-156.
19. Khamdamova M.T. Features of ultrasound images of the uterus and ovaries in women of the second period of middle age using combined oral contraceptives // New day in medicine. Bukhara, 2020. - No. 2 (30). - P. 258-261.
20. Khamdamova M.T. Individual variability of the uterus and ovaries in women who use and do not use various types of contraceptives // New day in medicine. Bukhara, 2020. - No. 3 (31). - pp. 519-526.
21. Khamdamova M. T. Echographic features variability in the size and shape of the uterus and ovaries in women of the second period of adulthood using various

- contraceptives // Asian Journal of Multidimensional Research - 2020. – N9 (5). - P.259-263.
22. Khamdamova M. T. Somatometric characteristics of women of the first and second period of adulthood using different contraceptives with different body types // The american journal of medical sciences and pharmaceutical research - 2020. – N8 (2). - P.69-76.
23. Khamdamova M.T., Zhaloldinova M.M., Khamdamov I.B. The state of nitric oxide in blood serum in patients with cutaneous leishmaniasis // New day in medicine. Bukhara, 2023. - No. 5 (55). - P. 638-643.
24. Khamdamova M.T., Zhaloldinova M.M., Khamdamov I.B. The value of ceruloplasmin and copper in blood serum in women wearing copper-containing intrauterine device // New day in medicine. Bukhara, 2023. - No. 6 (56). - pp. 2-7.
- 37.Khamdamova M. T. Bleeding when wearing intrauterine contraceptives and their relationship with the nitric oxide system // American journal of pediatric medicine and health sciences Volume 01, Issue 07, 2023 ISSN (E): 2993-2149. P.58-62
25. Khamdamova M. T. The state of local immunity in background diseases of the cervix // Eurasian journal of medical and natural sciences Innovative Academy Research Support Center. Volume 3 Issue 1, January 2023 ISSN 2181-287X P.171-175.
26. Khamdamova M.T., Khasanova M.T. Various mechanisms of pathogenesis of endometrial hyperplasia in postmenopausal women (literature review) // New day in medicine. Bukhara. 2023. - No. 8 (58). - P. 103-107.
27. Khamdamova M.T. Reproductive Health of Women Using Copper-Containing Intrauterine Contraception // Eurasian Medical Research Periodical Volume 28 January 2024, ISSN: 2795-7624 .www.geniusjournals.org P. 39-45.
28. Khamdamov I.B. Advantages Of Laparoscopic Hernioplasty in Obesity Women of Fertile Age // Eurasian Medical Research Periodical Volume 28 January 2024, ISSN: 2795-7624 .www.geniusjournals.org P. 33-38.



UDK: 617.55-089.844/616-056.5+616-08-039.71
ANEMIYA POSLE BARIATRIЧЕСKIX OPERATSIY

Khamdamov I.B.

*PhD, docent at the Department of Surgical Diseases
Bukhara State Medical University named after Abu Ali Ibn Sina*

Summary. After the BPSH operation, all patients showed a significant decrease in the level of hemoglobin, ferritin and serum iron, starting from the 3rd month after the operation and progressively continuing throughout the entire observation period of the patients (7 years).

Key words: obesity, obesity treatment, bariatric surgery, laparoscopic longitudinal resection of the stomach, bariatric surgery, sleeve gastrectomy.

Relevance. Approximately 2.1 billion people on the planet suffer from excess body weight, and approximately 2-4% of obesity takes forms that are dangerous to health and life (morbid obesity). Remote results of conservative treatment of morbid obesity remain unsatisfactory. In this disease (BMI > 40 kg / m²), adipocyte hyperplasia develops, which makes the patient virtually resistant to physical activity, diets and pharmacotherapy [1,2,6,8,10,12,14,16,18]. Currently, the only effective method of treating morbid obesity is bariatric surgery [Sjöström L., 2013]. They are aimed at reducing weight with the help of various surgical interventions on the digestive tract and give a stable positive result in weight loss. Both a decrease in the volume of the stomach and the exclusion of the proximal small intestine from digestion, i.e. artificially created malabsorption, are the main causes of vitamin and microelement deficiency after bariatric surgery. Such deficiencies include the development of anemia. One of the most common pathogenetic variants of anemia after bariatric surgery is iron deficiency anemia (IDA) [3, 4,20,21,22,23,24,25,26]. It occurs in 6% of patients within a few months after surgery with a bypass component, years later IDA is diagnosed in 50% of patients [11, 13,15].

However, in 30-50% of cases, anemia after bariatric surgery cannot be explained by isolated iron deficiency alone [17,19,27,28]. Meanwhile, the main pathogenetic mechanisms of anemia depending on the type of surgery remain not fully defined, the risk factors for the development of anemia are not specified, there are no algorithms for the prevention and medical examination of patients after bariatric surgery. Until now, no work has been conducted in Uzbekistan to study anemic syndrome in patients who have undergone bariatric surgery. Research in this area

will allow us to verify the pathogenetic mechanisms of anemia and prognostic factors for their development, optimize correction methods, and ultimately improve the prognosis and quality of life of patients after bariatric surgery.

Purpose of the study. Optimize algorithms for examination and treatment of patients with anemia after various types of bariatric surgeries

Materials and methods. This work is based on an analysis of the results of examination and treatment of 159 patients with various types of external hernias of the anterior abdominal wall, who were examined and inpatiently treated in the 1st surgical department of the Bukhara Regional Multidisciplinary Medical Center and the Department of Thoracoabdominal Surgery of the Multidisciplinary Clinic of the Tashkent Medical Academy for the period from 2011 to 2023. The analyzed material included women of reproductive age who planned to have children in the future. The control group consisted of all women with hernias of the anterior abdominal wall who underwent traditional hernial orifice repair without the use of allomaterial. The main group is all women with hernias of the anterior abdominal wall who underwent alloplasty according to our recommendations. Research results and discussion.

The study was conducted at BukhMI - in the obesity surgery department in 2012-2023. 159 people were examined for anemia (men and women aged 18 to 61 years), of which 88 people underwent BPSH due to morbid obesity and 71 patients - PRZH. 80 patients (25 men and 55 women), average age 41.9 ± 9.8 years, underwent BPSH in the Hess-Marceau modification due to morbid obesity. BPSH in this modification included longitudinal resection of the stomach, as well as reconstruction of the small intestine with exclusion of the duodenum and jejunum from digestion and division of the entire small intestine into 3 segments: alimentary, common and biliopancreatic loops. The length of the alimentary loop after surgery was 248 ± 9.5 cm, the total loop - 72.9 ± 11.6 cm. The duration of the observation period for patients after BPSH ranged from 3 to 7 years from the date of surgery. The BMI of patients before surgery corresponded to morbid obesity - 48.7 ± 6.8 kg / m². All patients after surgery were prescribed iron preparations (IP) orally at a rate of at least 100 mg of elemental iron per day in the form of ferrous salts. Of the 80 patients, 49 (61.25%) regularly received IP after surgery, while 31 people (38.75%) did not take IP or took them for no more than 2 months after surgery, stopping treatment on their own. Forty-five patients (6 men and 39 women), mean age 39.4 ± 9.3 years, underwent laparoscopic gastrectomy for morbid obesity. About $\frac{3}{4}$ of the stomach, including the fundus, was removed from the patients. The patients' BMI before surgery was 39.8 ± 6.6 kg/m². None of the patients were prescribed gastrectomy after surgery. The follow-up period for patients who underwent laparoscopic

gastrectomy ranged from 2 to 4 years. Before surgery, no decompensation of concomitant diseases or clinically significant changes in laboratory parameters, including hemoglobin content, were detected. None of the concomitant diseases were contraindications to bariatric surgery. According to the study results, anemia (hemoglobin level below 120 g/l) was diagnosed in 40% of patients within 3 months to 5 years. In the vast majority of patients (71.9%), anemia developed within the first year after surgery - after 3 months (3 patients), after 6 months (7 patients), after 9 months (5 patients), after 12 months (8 patients). In another 4 patients, anemia was diagnosed after 2 years, in 2 patients after 3 years, and in 1 patient after 5 years after surgery. Patients had their hemoglobin, serum iron, folic acid, and vitamin B-12 levels tested before surgery and during follow-up periods. The initial hemoglobin levels in patients before BPSH averaged 145.0 ± 13.27 g/L, ranging from 120 g/L to 177 g/L. After BPSH, a significant decrease in the average hemoglobin level was detected, starting as early as the third month after surgery and progressively continuing throughout the 7 years of observation. Dynamic study of serum iron and ferritin content showed a reliable progressive decrease in the average value of these parameters over time. Dynamic study of serum vitamin B12 levels in patients who underwent BPSH (Fig. 4) showed no reliable decrease in its average value over time. Dynamic study of folic acid levels showed some decrease in its average value 1-4 years after surgery, but no persistent progressive decrease (as in the case of hemoglobin, serum iron, and ferritin) was observed. The subjects did not receive folic acid or vitamin B12 preparations during the observation period. The overwhelming majority of patients with IDA (66.7%, 16 out of 24 people) did not take PF (at the rate of 100 mg of elemental iron per day) after BPSH or took them for no more than 2 months after surgery, and stopped the treatment on their own. Among the observed patients without IDA, only 26.8% (15 out of 56) did not take PG. Patients who did not take PG had significantly lower hemoglobin levels starting from the 4th year after BPS, lower serum iron levels starting from the 3rd year, and lower ferritin levels already after 6 months. Thus, 5 years after BPS, the hemoglobin level in patients who did not take PG decreased by 26.6%, and in patients who took PG, by 14.2%. 5 years after BPS, in patients who did not take PG, the serum iron level decreased by 61.8%, ferritin - by 77.5%, while in patients who took PG, the serum iron level decreased by 28.5%, ferritin - by 40.9%. However, 33.3% of patients (8 out of 24) who regularly took PZ developed IDA.

Conclusions: All patients undergoing BPSH and PRG operations require daily oral iron supplementation at a dose of at least 100 mg (calculated as elemental iron).

LITERATURE

1. Spaziani T.S., Di Cello P., Lo Bianco G. "All In One Mesh Hernioplasty" device for inguinal hernia repair. Results of 400 cases // Ann. Ital. Chir. – 2018. – Vol. 89. – P. 438–442.
2. Steensel S., Hil L., Bloemen A. Prevention of incisional hernia using different suture materials for closing the abdominal wall: a comparison of PDS, Vicryl and Prolene in a rat model // Hernia. – 2020. – Vol. 24, № 1. – P. 67-78.
3. Trippoli S., Caccese E., Tulli G. Biological meshes for abdominal hernia: Lack of evidence-based recommendations for clinical use // Int. J. Surg. – 2018. – Vol. 52. – P. 278–284.
4. Zhang L. Incidence of abdominal incisional hernia in developing country: a retrospective cohort study // Int J Clin Exp Med. – 2015. – Vol. 8, № 8. – P. 13649-13652.
5. Zucker B.E., Simillis C., Tekkis P., Kontovounisios C. Suture choice to reduce occurrence of surgical site infection, hernia, wound dehiscence and sinus/fistula: a network meta-analysis // Ann R Coll Surg Engl. – 2019. – Vol. 101, № 3. – P. 150-161.
6. Khamdamov I.B. Improving tactical approaches in the treatment of hernias of the anterior abdominal wall in women of fertile age // Tibbiyotda Yangi kun. Bukhoro, 2022.-№10(48)- pp. 338-342.
7. Khamdamov I.B. Morphofunctional features of the abdominal press in women of reproductive age // Tibbiyotda Yangi kun. Bukhoro, 2022.-№3(41)- pp. 223-227.
8. Khamdamov I.B. Clinical evaluation of the effectiveness of the traditional approach to the treatment of hernias of the anterior abdominal wall in women of fertile age // Doctor's Bulletin. –Samarkand 2022. No. 2.2 (104).-P.65-70.Khamdamova M.T. Ultrasound features of three-dimensional echography in assessing the condition of the endometrium and uterine cavity in women of the first period of middle age using intrauterine contraceptives // Biology va tibbyot muammolari. - Samarkand, 2020. - No. 2 (118). - P.127-131.
9. Khamdamova M. T. Ultrasound assessment of changes in the endometrium of the uterus in women of the first and second period of middle age when using intrauterine and oral contraceptives // Biomeditsina va amaliyot jurnali. – Tashkent, 2020. - №2. - 8 часть. - S.79-85.
10. Khamdamov I.B., Khamdamov A.B. Yendovideosurgical hernioplasty in women of fertile age // New day in medicine. 2021. №6 (38/1).P.25-27.

11. Khamdamova M. T. Anthropometric characteristics of the physical status of women in the first and second period of middle age // A new day in medicine. Tashkent, 2020. - № 1 (29). - C.98-100.
12. Khamdamov I.B., Khamdamov A.B. Slassification and properties of mesh explants for hernioplasty of hernial defects of the anterior abdominal wall (review) // Biology and integrative medicine. ISSN 2181-8827 2021. №5 – March, April (52).C.12-22.
13. Khamdamova M.T. Age-related and individual variability of the shape and size of the uterus according to morphological and ultrasound studies // News of dermatovenereology and reproductive health. - Tashkent, 2020. - No. 1-2 (88-80). - P.49-52.
14. Khamdamova M.T. Ultrasound features of three-dimensional echography in assessing the condition of the endometrium and uterine cavity in women of the first period of middle age using intrauterine contraceptives // Biology va tibbyot muammolari. - Samarkand, 2020. - No. 2 (118). - P.127-131.
15. Khamdamova M. T. Ultrasound assessment of changes in the endometrium of the uterus in women of the first and second period of middle age when using intrauterine and oral contraceptives // Biomeditsina va amaliyot jurnali. – Tashkent, 2020. - №2. - 8 chastʻ. - S.79-85.
16. Khamdamova M. T. Anthropometric characteristics of the physical status of women in the first and second period of middle age // A new day in medicine. Tashkent, 2020. - № 1 (29). - C.98-100.
17. Khamdamova M.T. Age-related and individual variability of the shape and size of the uterus according to morphological and ultrasound studies // News of dermatovenereology and reproductive health. - Tashkent, 2020. - No. 1-2 (88-80). - P.49-52.
18. Khamdamova M.T. Features of ultrasound parameters of the uterus in women of the first and second period of middle age using injection contraceptives // New day in medicine. Bukhara, 2020. - No. 2/1 (29/1). - R.154-156.
19. Khamdamova M.T. Features of ultrasound images of the uterus and ovaries in women of the second period of middle age using combined oral contraceptives // New day in medicine. Bukhara, 2020. - No. 2 (30). - R. 258-261.
20. Khamdamova M.T. Individual variability of the uterus and ovaries in women who use and do not use various types of contraceptives // New day in medicine. Bukhara, 2020. - No. 3 (31). - pp. 519-526.
21. Khamdamova M. T. Yechographic features variability in the size and shape of the uterus and ovaries in women of the second period of adulthood using various

- contraceptives // Asian Journal of Multidimensional Research - 2020. – N9 (5). - P.259-263.
22. Khamdamova M. T. Somatometric characteristics of women of the first and second period of adulthood using different contraceptives with different body types // The american journal of medical sciences and pharmaceutical research - 2020. – N8 (2). - P.69-76.
23. Khamdamova M.T., Zhaloldinova M.M., Khamdamov I.B. The state of nitric oxide in blood serum in patients with cutaneous leishmaniasis // New day in medicine. Bukhara, 2023. - No. 5 (55). - R. 638-643.
24. Khamdamova M.T., Zhaloldinova M.M., Khamdamov I.B. The value of ceruloplasmin and copper in blood serum in women wearing copper-containing intrauterine device // New day in medicine. Bukhara, 2023. - No. 6 (56). - pp. 2-7.
- 37.Khamdamova M. T. Bleeding when wearing intrauterine contraceptives and their relationship with the nitric oxide system // American journal of pediatric medicine and health sciences Volume 01, Issue 07, 2023 ISSN (E): 2993-2149. R.58-62
25. Khamdamova M. T. The state of local immunity in background diseases of the cervix // Eurasian journal of medical and natural sciences Innovative Academy Research Support Center. Volume 3 Issue 1, January 2023 ISSN 2181-287X R.171-175.
26. Khamdamova M.T., Khasanova M.T. Various mechanisms of pathogenesis of endometrial hyperplasia in postmenopausal women (literature review) // New day in medicine. Bukhara. 2023. - No. 8 (58). - R. 103-107.
27. Khamdamova M.T. Reproductive Health of Women Using Copper-Containing Intrauterine Contraception // Eurasian Medical Research Periodical Volume 28 January 2024, ISSN: 2795-7624 .www.geniusjournals.org P. 39-45.
28. Khamdamov I.B. Advantages Of Laparoscopic Hernioplasty in Obesity Women of Fertile Age // Eurasian Medical Research Periodical Volume 28 January 2024, ISSN: 2795-7624 .www.geniusjournals.org P. 33-38.

MIGRATSIYA HUQUQI: TARIXIY ASOSLAR, IJTIMOYIY-IQTISODIY TA’SIRLAR VA ZAMONAVIY SIYOSATNING GLOBAL DINAMIKASI

Dilshodbek T. Toshpo‘latov

“786 HIMOYA” Advokatlik Byurosida chida r-advokat

Annotatsiya. Migratsiya huquqi shaxslarning milliy chegaralar ichida va undan o‘tib ketish erkinligini o‘z ichiga oladi. Ushbu maqolada migratsiyaning tarixiy, ijtimoiy, huquqiy va iqtisodiy jihatlari ko‘rib chiqilib, odamlar nima uchun ko‘chib o‘tishlari, ular duch keladigan muammolar va ularning harakatini shakllantiradigan siyosat haqida so‘z boradi. Tahlil asosiy nazariy istiqbollarni, zamonaviy migratsiya siyosatini va ularning global jamiyat uchun ta’sirini o‘z ichiga oladi.

Kalit So‘zlar: Migratsiya, inson huquqlari, chegara nazorati, migratsiya siyosati, qochqin, boshpana, global harakatchanlik, emigratsiya, immigratsiya, harakat erkinligi, ijtimoiy-iqtisodiy ta’sir.

KIRISH

Migratsiya insonning tabiiy hodisasi bo‘lib, ko‘pincha iqtisodiy, ijtimoiy, ekologik va siyosiy omillar ta’sirida yuzaga keladi. U shaxslar va jamiyatlar uchun imkoniyatlar yaratsa-da, integratsiya masalalari, xavfsizlik muammolari va inson huquqlari masalalarini o‘z ichiga olgan murakkab muammolarni ham taqdim etadi. Ushbu maqola migratsiya huquqini insonning asosiy huquqi sifatida o‘rganadi, uning milliy suverenitet, iqtisodiy barqarorlik va global adolatga ta’sirini o‘rganadi.

Ushbu maqolada migratsiya huquqining ijtimoiy-siyosiy o‘lchovlarini o‘rganish uchun huquqiy hujjatlar, hukumat hisobotlari, migratsiya tadqiqotlari va muhojirlar bilan suhbatlar ma’lumotlarini sintez qiladigan sifatli yondashuv qo‘llaniladi. Qiyosiy tahlil, shuningdek, turli mamlakatlar bo‘ylab migratsiya siyosatini o‘rganish uchun ishlatiladi, bunda huquqiy asoslar va ijro strategiyalaridagi farqlarga e’tibor qaratiladi.

Migratsiya huquqi-bu xalqaro huquq, inson huquqlari va axloqning bir qancha sohalariga taalluqli tushuncha. Odatda bu shaxslar yoki guruhlarining yashash sharoitlari, xavfsizligi yoki imkoniyatlarini yaxshilash uchun chegaralar ichida va bo‘ylab erkin harakatlanish qobiliyatini anglatadi. Biroq, bu “huquq” murakkab va ko‘pincha bahsli bo‘lib, milliy qonunlar, xalqaro shartnomalar va geosiyosiy mulohazalarga qarab sezilarli darajada farq qiladi.

Inson huquqlari bo‘yicha xalqaro qonun: inson huquqlari Umumjahon Deklaratsiyasi (UDHR) har qanday mamlakatni, shu jumladan o‘z mamlakatini tark

etish va o'z mamlakatiga qaytish huquqini o'z ichiga oladi (13-modda). Biroq, bu boshqa mamlakatga kirish yoki ko'chib o'tish huquqini aniq kafolatlamaydi, bu ko'pincha ichki siyosat masalasidir.

Siz haqsiz. Inson huquqlari Umumjahon Deklaratsiyasining (UDHR) 13-moddasida harakat bilan bog'liq ikkita huquq alohida ko'rib chiqilgan:

Har qanday mamlakatni tark etish huquqi, o'z jumladan (maqola 13(1)) — bu shaxslar sayohat va cheklovsiz o'z vatanini chiqish erkinligini beradi.

O'ng o'z mamlakatiga qaytish uchun (maqola 13 (2)) — bu tark keyin o'z yurtiga qaytish uchun shaxslar huquqini tasdiqlaydi.

Biroq, UDHR boshqa mamlakatga kirish yoki ko'chib o'tish huquqini aniq bermaydi. Immigratsiya, boshpana va chegara nazorati bilan bog'liq qarorlar, odatda, milliy qonunlar va siyosat bilan tartibga solinadigan alohida davlatlarning ixtiyorida qoladi. Bu shuni anglatadiki, odamlar o'z mamlakatlarini tark etish va qaytish huquqiga ega bo'lishlari mumkin bo'lsa-da, boshqa mamlakatga kirish huquqi ushbu mamlakat qonunlari va immigratsiya siyosati bilan belgilanadi.

Inson huquqlari bo'yicha xalqaro qonun muhojirlar va qochqinlarni himoya qilishni tan oladi. Masalan, qochqinlar ostida huquqlarga ega 1951 qochqinlar Konventsiya, qaysi refoulement qarshi himoya o'z ichiga oladi (ular jiddiy tahdidlarga duch bir mamlakatga majburiy qaytish) va boshpana izlovchilar uchun ma'lum huquqlarini kafolatlaydi. Ammo, umuman olganda, ko'chib o'tish huquqi tark etish va qaytish huquqlari bilan bir xil tarzda tan olinmaydi.

Qochqinlar va boshpana izlovchilar: 1951 yilgi qochqinlar to'g'risidagi Konventsiya va uning 1967 yilgi protokoli qochqinlarni himoya qilishni, shu jumladan boshpana olish huquqini o'rnatdi. Ushbu shartnomalar imzolagan davlatlarni irqiga, diniga, millatiga, ijtimoiy guruhiga yoki siyosiy fikriga qarab ta'qiblardan qochganlarni himoya qilishga majbur qiladi. Shuning uchun qochqinlar ko'chib o'tish uchun yanada mustahkam “huquq” ga ega, garchi bu huquq ularning maqomini tan olishga bog'liq bo'lsa.

Iqtisodiy migrantlar: qochqinlardan farqli o'laroq, iqtisodiy migrantlar—asosan yaxshi ish imkoniyatlari yoki yashash sharoitlari uchun ko'chib kelganlar—xalqaro huquqda bir xil darajada himoyaga ega emaslar. Ularning ko'chib o'tish qobiliyati har bir mamlakatning immigratsiya qonunlari va siyosatiga bog'liq bo'lib, ular kvotalar, mehnat bozori ehtiyojlari yoki boshqa mezonlar asosida ularning harakati yoki huquqlarini cheklashi mumkin.

Iqtisodiy migrantlar birinchi navbatda yaxshilangan iqtisodiy imkoniyatlar, ish bilan ta'minlash istiqbollari yoki yashash sharoitlarini yaxshilash uchun bir mamlakatdan boshqasiga ko'chib o'tadigan shaxslar. Xavfsizligi yoki farovonligiga tahdid tufayli

xalqaro huquq bilan himoyalangan qochqinlardan farqli o'laroq, iqtisodiy migrantlar xalqaro huquq bo'yicha bir xil huquqiy himoyaga ega emaslar.

Iqtisodiy muhojirlarning migratsiyasi immigratsiya qonunlari va boradigan mamlakat siyosati bilan tartibga solinadi. Ushbu qonunlar ko'pincha muhojirlarning kirishi va qolishini quyidagi choralar orqali tartibga soladi:

Kvotalar: ba'zi mamlakatlar mehnat bozori ehtiyojlari, mamlakatning iqtisodiy ustuvorliklari yoki ijtimoiy tizimlarning imkoniyatlaridan kelib chiqib, ma'lum bir davrda qabul qiladigan iqtisodiy migrantlar soniga cheklovlar qo'yadilar.

Mehnat bozori ehtiyojlari: ko'pgina mamlakatlar mahalliy iqtisodiyotda talab qilinadigan muayyan ko'nikma yoki malakaga ega bo'lgan muhojirlarga ustuvor ahamiyat berishadi. Immigratsiya siyosati ko'pincha sog'liqni saqlash, texnologiya yoki muhandislik kabi sohalarda malakali ishchilarni qo'llab-quvvatlaydi, shu bilan birga malakasiz mehnat imkoniyatlarini cheklaydi.

Ishlash uchun ruxsatnomalar va vizalar: ishga ko'chib o'tish uchun iqtisodiy muhojirlar ko'pincha ishlash uchun ruxsat yoki viza olishlari kerak. Ushbu hujjatlar vaqtinchalik yoki doimiy bo'lishi mumkin va qat'iy mezonlarga bo'ysunadi, masalan, ish takliflari yoki boradigan mamlakatdagi ish beruvchilar tomonidan homiylik.

Iqtisodiy integratsiya: mamlakatlar migrantlarning iqtisodiy va ijtimoiy jihatdan integratsiyalashuvi uchun tilni bilish, madaniy bilimlar yoki eng kam ish haqi chegaralari kabi shartlarni belgilashi mumkin. Ushbu talablar migrantlarning mamlakat iqtisodiyotiga o'z resurslarini ortiqcha yuklamasdan hissa qo'shishini ta'minlashga qaratilgan.

Iqtisodiy muhojirlar va qochqinlar o'rtasidagi farq ularning xalqaro huquqqa muvofiq himoya va huquqlarning turli darajalarini ta'kidlaydi, qochqinlar ularning zaifligi va o'z mamlakatlariga qaytarilishi mumkin bo'lgan xavf-xatarlari tufayli alohida e'tiborga olinadi.

Ichki migratsiya: milliy chegaralar ichida ichki migratsiya odatda ko'pchilik mamlakatlar tomonidan tan olingan huquq bo'lib, fuqarolarning bir mintaqadan boshqasiga erkin harakatlanishiga imkon beradi. Biroq, ba'zi hollarda xavfsizlik muammolari yoki boshqa davlat manfaatlari tufayli cheklovlar mavjud.

Axloqiy mulohazalar: ko'pgina olimlarning ta'kidlashicha, migratsiya insonning asosiy huquqi bo'lib, odamlarning yaxshi hayot va xavfsizlikka intilishlari bilan bog'liq. Biroq, ushbu huquqni milliy suverenitet, madaniyatni saqlash va qabul qiluvchi mamlakatlarga iqtisodiy ta'sir bilan qanday muvozanatlash bo'yicha munozaralar davom etmoqda.

Zamonaviy munozaralar va muammolar: iqlim o'zgarishi, mojarolar va iqtisodiy nomutanosiblik migratsiyani tobora kuchaytirmoqda. Bu “iqlim qochqinlari” atrofida munozaralarni va ekologik inqirozlar sharoitida migratsiyani hal qilish uchun yangi xalqaro asoslarni yaratish zarurligini keltirib chiqardi.

Migratsiya huquqi murakkab masala bo'lib qolmoqda, chunki u suverenitet, xavfsizlik va inson qadr-qimmatiga ta'sir ko'rsatadigan siyosat bilan kesishadi. Global muammolar oshgani sayin, migrantlarni himoya qilish va qabul qiluvchi mamlakatlar uchun barqarorlikni ta'minlash uchun migratsiyani tartibga soluvchi qonunlar va me'yorlarni qanday rivojlantirish haqida doimiy muloqotlar mavjud.

Migratsiya huquqi davlat suvereniteti va inson huquqlari o'rtasidagi muvozanat harakatini taqdim etadi. Mamlakatlar iqtisodiy, ijtimoiy va xavfsizlik masalalarini boshqarishda muhojirlarning huquqlarini hurmat qilish bilan kurashadilar. Ushbu bo'limda adolatli migratsiya siyosati uchun potentsial asoslar muhokama qilinadi kooperativ xalqaro shartnomalar, bu inson harakatchanligini davlat tashvishlari bilan muvozanatlashtirishi mumkin. Ksenofobiyaning kamaytirish va muhojirlar va mahalliy aholi o'rtasida tinch-totuv yashashni osonlashtirish uchun ijtimoiy integratsiya choralarining ahamiyatiga ham e'tibor qaratiladi.

XULOSA

Xulosa qilib aytganda, migratsiya ko'pincha iqtisodiy yoki xavfsizlik nuqtai nazaridan qaralsa-da, bu asosan inson huquqlari masalasidir. Migratsiya huquqini hurmat qilish milliy manfaatlar bilan bir qatorda inson qadr-qimmatini birinchi o'ringa qo'yadigan global asosni talab qiladi. Tavsiyalarga quyidagilar kiradi:

1. Barcha muhojirlarga adolatli munosabatda bo'lishni ta'minlaydigan global migratsiya ko'rsatmalarini yaratish.
2. Mezbon jamiyatlarda inklyuzivlikni targ'ib qiluvchi integratsiya siyosatini amalga oshirish.
3. Qashshoqlik, mojarolar va iqlim o'zgarishi kabi migratsiyaning asosiy sabablarini hal qiladigan dasturlarga sarmoya kiritish.

ADABIYOTLAR.

1. Каланов К. Особенности миграционных процессов в Узбекистане. //Материалы второго конгресса социологов тюркоязычных стран на тему Гражданское общество и социальных процесс в XXI веке. – Алматы. 2008.
2. Воробьев О.Д., Топилина А.В. Миграция населения: теория и политика. Учебное пособие. -М.: 2012г.
3. Каланов К. Внутренняя миграция на неформальном рынке труда в Узбекистане.// Россия – Узбекистан:история и современность (ч.2). / ЕвроАзия. – Москва. № (Июнь) / 2008.

4. Максакова Л.П. Миграция и рынок труда в странах Средней Азии. – Ташкент, 2002.
5. Нодирова Н. О'zbekiston aholisining migratsion jarayonlaridagi ishtiroki (muammo va yechimlar). BMI. – Samarqand. 2015.
6. Bozkarauli A. Migratsiya jarayonlarini tartibga solishning mintaqaviy va milliy xususiyatlari. – Qarag'anda. 2012.
7. www.stat.uz – O'zbekiston Respublikasi Statistika qo'mitasi rasmiy sayti.
8. www.migration.uz – Tashqi mehnat migratsiyasi masalalari agentligi rasmiy sayti.
9. www.press-club.uz – O'zbekiston Respublikasi Xalqaro press klubi rasmiy sayti.

THE SECOND WORLD WAR AND ITS LASTING IMPACTS

Avliyoqulov Isroil Murtazaqulovich

History teacher of the military academic lyceum "Young border guards".

Abstract: The Second World War (1939-1945) was a cataclysmic conflict that reshaped global politics, economies, and societies. Involving most of the world's nations, this war led to unprecedented casualties, widespread destruction, and significant shifts in international power. This article explores the causes, major events, and the profound short- and long-term effects of the war. The discussion covers the socio-political transformations, economic impacts, and ideological shifts that emerged in the post-war period, ultimately laying the foundation for modern international relations.

Keywords: Second World War, World War II, Global conflict, Allied Powers, Axis Powers, Geopolitical shifts, Post-war reconstruction, Decolonization, United Nations, Holocaust, Economic impact, Human rights, Sociopolitical transformation.

INTRODUCTION

The Second World War was a pivotal event of the 20th century, fought between the Allies (mainly the United States, the Soviet Union, and the United Kingdom) and the Axis powers (primarily Nazi Germany, Imperial Japan, and Fascist Italy). Originating from unresolved grievances from World War I, economic hardship, and the rise of totalitarian regimes, World War II involved military strategies, technological advancements, and humanitarian crises on an unprecedented scale. This article delves into the principal causes, key events, and the global repercussions of the war.

Causes of the Second World War

Treaty of Versailles and Economic Hardships: The Treaty of Versailles (1919) imposed harsh reparations on Germany, leading to economic instability and resentment, which Hitler leveraged to gain support.

Rise of Totalitarian Regimes: The interwar period saw the rise of authoritarian regimes in Germany, Italy, and Japan, which pursued aggressive expansionist policies.

Policy of Appeasement: Western powers' reluctance to confront aggression by Hitler and Mussolini emboldened the Axis powers, culminating in the invasion of Poland in 1939, which triggered the war.

Global Economic Instability: The Great Depression (1929) led to severe economic hardship worldwide, fueling nationalist and militaristic ideologies.

Major Events of the Second World War

1939-1941: Initial Axis expansion, with Germany's invasions in Europe and Japan's expansion into East Asia.

1941: The United States entered the war after Japan's attack on Pearl Harbor.

1942-1943: Pivotal battles, such as the Battle of Stalingrad and the North African Campaign, shifted the momentum toward the Allies.

1944: D-Day invasion of Normandy marked a major turning point as Allied forces began liberating Europe.

1945: Germany's surrender in May and Japan's surrender in August, following the atomic bombings of Hiroshima and Nagasaki, marked the end of the war.

Immediate Consequences of the Second World War

Human Loss and Displacement: Approximately 70-85 million people perished, and millions were displaced, resulting in significant demographic changes worldwide.

Economic Devastation: Europe and Asia suffered extensive destruction, requiring post-war reconstruction. The U.S., having avoided destruction on its own soil, emerged as an economic superpower.

Formation of the United Nations: In 1945, the UN was established to foster international cooperation and prevent future conflicts, replacing the ineffective League of Nations.

Long-term Impacts

Geopolitical Shifts and the Cold War: The war marked the emergence of the U.S. and the Soviet Union as superpowers, which led to a division of global influence and the onset of the Cold War.

Decolonization: The weakening of European powers accelerated the decolonization of Africa, Asia, and the Middle East, reshaping global political boundaries.

Economic Recovery and the Marshall Plan: The U.S. introduced the Marshall Plan to aid European recovery, which led to economic growth and the establishment of the European Economic Community.

Technological Advancements: Wartime advancements in radar, rocketry, and nuclear technology significantly influenced civilian industries, contributing to the post-war economic boom and the space race.

Social and Cultural Changes: Women's participation in the workforce during the war sparked lasting changes in gender roles, influencing future movements for gender equality.

Ideological and Psychological Impacts

Rise of Human Rights Awareness: The atrocities of the Holocaust brought attention to human rights, leading to the Universal Declaration of Human Rights in 1948.

Cultural Reflection and Memory: The war's impact on culture, literature, and art has been profound, with countless works dedicated to exploring the complexities and traumas of war.

Conclusion

The Second World War fundamentally reshaped the 20th-century world. Beyond the human and material losses, the war ushered in a new global order, technological advancements, and a transformed socio-political landscape. The legacies of World War II, from the Cold War to the establishment of the UN and the spread of democratic ideals, continue to influence international relations today. Analyzing the causes, events, and consequences of this global conflict remains essential to understanding the trajectory of modern history and the ongoing pursuit of global peace and stability.

REFERENCES

1. Hobsbawm E. *The Age of Extremes: The Short Twentieth Century, 1914–1991* / E. J. Hobsbawm. — London: Michael Joseph, 1994. — 414 p.
2. Overy R. *Why the Allies Won* / R. Overy. — New York: W.W. Norton & Company, 1995. — 512 p.
3. United Nations. *Universal Declaration of Human Rights*. — New York: United Nations, 1948.
4. W. Odd Arne. *The Cold War: A World History*. Basic Books, 2017.
5. T. Harry. "Truman Doctrine Speech." Truman Presidential Library, 12 Mar. 1947, www.trumanlibrary.org.
6. C. Michael. *The Post-Cold War World: Turbulence and Change in World Politics since the Fall*. Routledge, 2017.
7. J. Keegan *The Second World War* / J. Keegan. — London: Penguin Books, 1989. — 608 p.

UZBEKISTAN AND ITS ACHIEVEMENTS DURING THE PERIOD OF INDEPENDENCE

Ametov Timur Nusretovich

Research work on the subject of history of the teacher of comprehensive secondary school No. 5 of the city of Uchkurgan, Namangan region

Main stages: Development of the country

1. 1991 – 2016 The period of gaining Independence by Uzbekistan
2. 2017 – 2024 The period of development of the New Uzbekistan

Abstract: This article covers the achievements and successes of Uzbekistan during the years of independence. After independence, the country has achieved rapid development in the economy, politics, culture and social spheres. The article provides information about the reforms implemented by the Uzbek government, achieving economic stability, improving the living standards of the population, changes at the national and international levels, and achievements in foreign policy. In addition, the article examines Uzbekistan's international cooperation, attracting investments, progress in education and science, as well as its successes in preserving and developing cultural heritage. These achievements serve to strengthen the republic's position in the international arena.

Keywords: Independence, Republic, New Uzbekistan Development Strategy of the New Uzbekistan diplomacy politics economics, education sports culture partnership with other countries.

The history of the development of Uzbekistan after the collapse of the USSR is of particular importance. Since August 31, 1991, Uzbekistan became an independent Republic. From that moment on, the country had the opportunity to follow a modern new historical course. Developing the country and society in the country during the 33-year period of Independence, important political, economic and social reforms were carried out. Which affected public administration of the economy, politics, culture, sports, medicine and foreign diplomatic relations of the army and other areas.¹

All these changes would not have been possible without the activities and role of the First President of the Republic of Uzbekistan I. A. Karimov.

The main principles of the policy of the first president were:

<https://islomkarimov.uz/ru/>

<https://tass.ruhttps://tsargrad.tv/news/islam-karimov->

1. Development of the economy.
2. Increasing the role of democracy and social justice in the country.
3. Normalization of foreign diplomatic relations with neighboring countries.
4. Work was carried out in the social sphere.
5. And the state and political system was reformed.

In particular, it is worth noting the programs and strategies developed by the first president of the Republic of Uzbekistan. For the development and stabilization of the economy, the development of national values, culture and mentality. First of all, the first stage - from 1991 to 2000 - took a particularly significant, truly historical place in the life of our country and people - the stage of priority reforms and transformations of the transition period and the formation of the foundations² national statehood. In particular, changes have been achieved in the state and political system, a system of power has been developed, the country's symbols have been adopted, changes have been achieved in industry, oil, gas, gold, natural resources, all these factors have seriously influenced the development of the country, transport has also been greatly developed, the aviation industry, the railway industry, urban architecture has developed, cities such as Bukhara, Samarkand, Tashkent, Khiva, Fergana, Andijan have important historical and cultural significance in the history of our country, culture is the main element that allows us to expressively introduce the history and traditions of the country, during the period of independence, major work was carried out to reconstruct historical and spiritual centers, madrassas, mosques, scientific academies, museums, monuments, I. Karimov has repeatedly emphasized the importance of "strengthening the influence and effectiveness of the work carried out today in the cultural and educational sphere and based on the life-tested principle of "High spirituality is an invincible force." This principle became the title of one of the fundamental works of the first president of the Republic of Uzbekistan, published in 2008, which contains the Concept of spiritual development of independent Uzbekistan. In Uzbekistan, there are more than 8 thousand objects of historical, cultural, architectural, archaeological value, of which 545 are architectural, 575 are historical, 1457 are monuments of art, more than 5500 archaeological objects. This system includes more than 300 museums and 1200 enterprises of folk art. A lot of work has been done in the republic to reconstruct Islamic architectural monuments. Thus, the Imam Bukhari complex was built in Bukhara. In 2007, on the initiative of the head of state, the architectural complex of

² <https://vuzlit.com/files/student-it.ru/previewfile/191716>

Hazrati Imam, famous throughout the Islamic world, was reconstructed. Moreover, after gaining independence, Uzbekistan has done a lot of work to develop diplomatic and foreign policy relations, building a competent strategy for cooperation with other countries. Among which Russia, China, the USA, India, the countries of Central Asia and the countries of Western Europe stand out in particular. Cooperation is carried out in various areas and in various spheres: culture, sports, education, science, the army, medicine - these areas are priority areas. At the moment, regional and international organizations of the UN, the EU, NATO, the CIS, the CSTO, the SCO, and other organizations play an important role in the international agenda and strategy of Uzbekistan.

Uzbekistan closely cooperates with the UN and its specialized agencies in countering drug aggression. Successfully carried out interaction in this area with the UN Office on Drugs and Crime through the implementation of specific practical projects aimed at developing the potential of the relevant ministries and departments. At the suggestion of the Uzbek side, the Central Asian Regional Information Coordination Center for Combating Illicit Trafficking in Narcotic Drugs, Psychotropic Substances and Their Precursors (CARICC) was established.

Uzbekistan makes an effective contribution to the reconstruction of Afghanistan. At the initiative of the Head of Uzbekistan, an International Transport and Logistics Hub was created in Termez to ensure centralized and targeted delivery of humanitarian supplies to Afghanistan. The capabilities of Termez are actively used by the Office of the United Nations High Commissioner for Refugees, the World Food Program, UNICEF and other UN agencies.

Since 2017, Uzbekistan began to open a new page in its history with the coming to power of Sh. M. Mirziyev. New prospects and opportunities have appeared in the development of the country. The basis for this was the development strategy for the future of the New Uzbekistan.³ The period of change of the country is an important step on the path of development and progress. Such concepts as friendship, good neighborliness, strategic partnership, global regional and international problems became the basis of the country's development. Development of the system of cooperation in the sphere of industry, energy, transport, Tourism, education, science, and technology. With the attraction of attention of international investments, building a humane state by raising the honor and dignity of a person and further development of a free civil society;

³ <https://lex.uz/docs/5841077>

transformation of the principles of justice and the rule of law into a fundamental and necessary condition for the development of the country;

accelerated development of the national economy and ensuring high growth rates;

implementation of a fair social policy, development of human capital;

ensuring spiritual development and raising this sphere to a new level;

approach to global problems based on national interests;

strengthening the security and defense potential of the country, pursuing an open, pragmatic and active foreign policy. Openness development of the country achievements in sports in the education system with the rules of international standards development of all necessary areas of the country and strengthening its authority in the international arena priority tasks for Uzbekistan today 33 years of history of Independent Uzbekistan showed what achievements the country has made during this period in different areas friendship with neighboring countries open cooperation in the field of trade industry economy transport education culture achievements in sports and other industries will allow us to say with confidence that the country is developing rapidly President Sh. M. Mirziyoyev, having developed and approved the development strategy, outlined specific goals directions and priorities for the development of the New Uzbekistan Take into account that the Strategy "Uzbekistan - 2030" reflects the following main ideas:

joining the number of states with an above-average income through sustainable economic development;

creation of an education, medicine and social protection system that fully meets the needs of the people and international standards;

creation of favorable environmental conditions for the population;

building a fair and modern state serving the people;

guaranteed provision of sovereignty and security of the country.

Having prioritized these goals that directly affect the social sphere, the President made it clear that the State will fully pay attention to social and political issues, attracting the attention of International organizations, funds and countries China Russia Turkey Western European countries USA The Central Asian countries are the main partners in cooperation. It is especially worth noting that Uzbekistan has a constructive dialogue with neighboring States in the region within the framework of the organization. Consultative meetings of the Central Asian countries, where the leaders of the countries discuss issues of regional development and cooperation between the countries. On the main directions and issues and aspects of cooperation. Uzbekistan has managed to seriously and qualitatively change the strategy of its foreign policy. The main task of which is security, stability, preservation of

sovereignty, tolerance, friendship, peacefulness and justice. 33 years of history of independent Uzbekistan have shown that the country has achieved great success.

REFERENCES:

1. Sayfutdinovna A. B., Farkhadovich T. D., Imomovna T. N. Methodology Of Developing Logical Thinking In The Process Of Teaching Mathematics In Grades 5-9 Students Ways To Apply In Practice The Didactic Complex Of Conditions For The Development Of Logical Thinking Of Students In Mathematics Lessons //European Journal of Molecular and Clinical Medicine. – 2021. – T. 8. – №. 1. – С. 948-962.
2. Anvarovna A. S. et al. SOCIAL-PSYCHOLOGICAL ADJUSTMENT OF FIRST YEAR UNIVERSITY STUDENTS //JOURNAL OF EDUCATION, ETHICS AND VALUE. – 2024. – T. 3. – №. 1. – С. 230-234.
3. Anvarovna A. S. Constructions (models) of social intelligence in future English language teachers //Horizon: Journal of Humanity and Artificial Intelligence. – 2023. – T. 2. – №. 4. – С. 169-172.
4. Ataxo'jayeva S. A. et al. INGLIZ TILINI O'RGATISHDA LOYIXA ISHINI TASHKIL QILISHNING AFZALLIKLARI //Science and Education. – 2020. – T. 1. – №. 1. – С. 403-406.
5. Nortoji Jumayevich EshnayeV, Shahlo Anvarovna Atakhujaeva SELF-DESTRUCTIVE BEHAVIOR AND ITS ESSENCE // Academic research in educational sciences. 2021. №CSPI conference 1. URL: <https://cyberleninka.ru/article/n/self-destructive-behavior-and-its-essence> (дата обращения: 14.11.2024).
6. Umirovich A. O., Anvarovna A. S. Views of thinkers on issues of family and family relations //Horizon: Journal of Humanity and Artificial Intelligence. – 2023. – T. 2. – №. 5. – С. 508-511.
7. [https://lex.uz/uz/docs/o стратегии «Узбекистан – 2030»](https://lex.uz/uz/docs/o_strategii_uzbekistan_2030).
8. [https://lex.uz/uz/docs/o стратегии развития нового Узбекистана на 2022—2026 годью стратегии Узбекистан](https://lex.uz/uz/docs/o_strategii_razvitiya_novogo_uzbekistana_na_2022_2026).
9. Ш .М Мирзиёев Стратегия Нового Узбекистана.
10. <https://president.uz/ru>

PRINCIPLES BASED ON THE DEVELOPMENT OF STUDENTS' COMPETENCE IN DESIGNING MOBILE APPLICATIONS

PhD **Feruz Tokhirov**, Uzbekistan

Abstract. This article analyzes the pedagogical principles that are used in the process of developing the competence of students of higher education institutions regarding the design of mobile applications.

Keywords: mobile applications, design, competence, programming, pedagogical principles, technological literacy, educational process.

Today, the importance of digital technologies in the continuous education system is growing. Developing students' competence in programming and designing mobile applications is one of the important tasks of modern education. In this process, it is important to implement methodological approaches based on the pedagogical principles of effective learning.

Currently, universities use programming languages, visual programming tools, information and educational environments and electronic educational resources located in them to develop students' competence in the field of mobile application design [1].

In this regard, that is, the principles used in the process of teaching subjects in the continuous education system, the principles of creating information-educational environments for teaching subjects in the field of informatics in higher education institutions, general secondary education Research on the principles of creating electronic educational resources from subjects in schools was carried out by scientists such as M.H. Stone, A.F. Healy, C.B. Anchukov, L.G. Nartova, S.M. Okulov, U.M. Mirsanov, S.Q. Tursunov, U.B. Bakhodirova, B.A. Janzakov.

Based on the analysis of the works of the above-mentioned scientists and our scientific research, it can be said that the development of the competence of students of higher educational institutions in the design of mobile applications is based on the following principles [2-7]:

1. The principle of project-based learning. This principle ensures that students work on real projects during the development of mobile applications. Through project-based learning, students acquire practical skills, develop their independent work and problem-solving skills.
2. The principle of formation of practical skills. Teaching students to develop mobile applications through practical tasks along with theoretical knowledge is the basis of

this principle. In this process, students will experience developing applications for various mobile platforms.

3. The principle of individualization. Each student's abilities, interests, and learning speed must be taken into account. Through an individualized approach, each student will have the opportunity to learn within their abilities, which will increase the effectiveness of education.

3. The principle of creative thinking and innovative solutions. The main goal of this principle is to direct students to creative thinking and finding new technological solutions in the process of designing mobile applications. Students learn to innovate, create software, and make it user-friendly.

4. The principle of teamwork. In the process of developing mobile applications, students should learn to work in a team. Through group activities, students develop the skills of learning from each other, solving problems together, and providing mutual support.

Relying on these principles in the development of students' competence in designing mobile applications creates the following opportunities: the educational process is brought closer to practice, which prepares students for professional activity; students develop a sense of responsibility and the ability to make independent decisions; students' critical thinking skills and problem-solving skills develop through projects; the ability to offer innovative and creative solutions increases; each student is approached according to his abilities, interests and opportunities; through an innovative approach, students are taught to use modern trends and technologies; the ability to work in a team develops, which is of great importance in professional activity.

The underlying principles are effective pedagogical tools for developing students' competence in mobile application design. Project-based and practical skills-building approaches increase students' technological literacy, develop creative thinking, and prepare them for a technological environment. The results of the study showed that the educational processes based on these principles significantly increase the level of mastery and technological knowledge of students.

FOYDALANILGAN ADABIYOTLAR

1. Jamoliddinovich T. F. PROBLEMS OF TEACHING SCHOOL CHILDREN AND STUDENTS THE DEVELOPMENT OF MOBILE APPLICATIONS //INTERNATIONAL CONFERENCE ON INTERDISCIPLINARY SCIENCE. – 2024. – Т. 1. – №. 3. – С. 38-40.
2. Анчуков С.В. Методологические принципы многоуровневой подготовки художника-педагога // Автореферат диссертации на соискание ученой степени доктора педагогических наук. – Санкт-Петербург, 2006. – 45 с.
3. Нартова Л.Г. Интегративные принципы построения системы преподавания геометрических дисциплин во ВТУЗе // Автореферат диссертации на соискание ученой степени доктора педагогических наук. – Москва, 2001. – 45 с.
4. Окулов С.М. Развитие интеллекта школьника как принцип организации синергетической среды обучения информатике // Автореферат диссертации на соискание ученой степени доктора педагогических наук. – Киров, 2004. – 45 с.
5. Healy A.F., Schneider V. I., Bourne L. E. Empirically valid principles of training //Training Cognition. – 2012. – С. 13-39.
6. Stone M.H. et al. Training principles: Evaluation of modes and methods of resistance training //Strength & Conditioning Journal. – 2000. – Т. 22. – №. 3. – С. 65.
7. Huffman W. B., Hahn S. Cognitive principles in mobile learning applications //Psychology. – 2015. – Т. 6. – №. 4. – С. 456-463.

**LINGUISTIC ANTHROPOLOGY: CULTURAL ASPECTS OF THE
ENGLISH LANGUAGE**
**ЛИНГВИСТИЧЕСКАЯ АНТРОПОЛОГИЯ: КУЛЬТУРНЫЕ АСПЕКТЫ
АНГЛИЙСКОГО ЯЗЫКА**
**LINGVISTIK ANTROPOLOGIYA: INGLIZ TILINING MADANIY
JIHATLARI.**

Ergasheva Malohat Yo'ldoshovna

Student of termiz state pedagogical institute

Эргашева Малохат Йулдошевна

Студентка термезского государственного педагогического института

Ergasheva malohat yo'ldosh qizi

Termiz davlat pedagogika instituti talabasi

Annotation: This paper explores the intricate relationship between the English language and culture through the lens of linguistic anthropology. It examines how English is used to express identity, social norms, and cultural values in various contexts. The study highlights the role of English in shaping social interactions, power dynamics, and media representation. Additionally, it discusses the diversity of English dialects and accents, emphasizing their cultural significance and the insights they provide into societal structures and cultural practices.

Keywords: Linguistic anthropology, cultural aspects, english language, identity, social norms, cultural values, social interaction, power dynamics, media representation, dialects, accents.

Annotatsiya: Ushbu maqola lingvistik antropologiya nuqtai nazaridan ingliz tili va madaniyat o'rtasidagi murakkab munosabatlarni o'rganadi. Ingliz tilining turli kontekstlarda identifikatsiya, ijtimoiy me'yorlar va madaniy qadriyatlarni ifodalashda qanday ishlatilishini tahlil qiladi. Tadqiqot ingliz tilining ijtimoiy munosabatlar, kuch dinamikasi va ommaviy axborot vositalaridagi roli haqida tushuncha beradi. Shuningdek, ingliz tilining turli dialektlari va aksentlari xilma-xilligini muhokama qilib, ularning madaniy ahamiyatini va jamiyat tuzilmalari hamda madaniy amaliyotlar haqida qanday ma'lumotlar berishini ta'kidlaydi.

Kalit so'zlar: Lingvistik antropologiya, madaniy jihatlar, ingliz tili, identifikatsiya, ijtimoiy me'yorlar, madaniy qadriyatlar, ijtimoiy munosabatlar, kuch dinamikasi, ommaviy axborot vositalari, dialektlar, aksentlar.

Аннотация: Эта статья исследует сложные взаимоотношения между английским языком и культурой через призму лингвистической антропологии.

Рассматривается, как английский язык используется для выражения идентичности, социальных норм и культурных ценностей в различных контекстах. Исследование подчеркивает роль английского языка в формировании социальных взаимодействий, динамики власти и представления в медиа. Кроме того, обсуждается разнообразие диалектов и акцентов английского языка, подчеркивая их культурное значение и те выводы, которые они предоставляют о социальных структурах и культурных практиках.

Ключевые слова: Лингвистическая антропология, культурные аспекты, английский язык, идентичность, социальные нормы, культурные ценности, социальное взаимодействие, динамика власти, медиа представление, диалекты, акценты.

INTRODUCTION:

Linguistic anthropology is a field that delves into the complex relationships between language, culture, and society. It seeks to understand how language not only reflects but also shapes cultural identities, social norms, and power dynamics. The English language, with its global prevalence and diverse forms, offers a rich area of study within this discipline. This paper aims to explore the cultural aspects of the English language, examining how it functions as a medium of cultural expression and interaction.

The English language serves as a bridge across different cultures, influencing and being influenced by the societies in which it is spoken. Its role extends beyond mere communication; English often carries with it cultural connotations and social significance that vary by region and community. By analyzing various dialects, accents, and usages of English, we can gain insights into the cultural values and social structures of English-speaking communities.

Moreover, the spread of English as a global lingua franca has implications for cultural exchange and power relations. It raises questions about linguistic dominance, cultural homogenization, and the preservation of local languages and identities. Understanding these dynamics is crucial for appreciating the full cultural impact of the English language.

In this study, we will delve into key themes such as language and identity, the influence of English on social interactions, and its representation in media. Through this exploration, we aim to highlight the multifaceted cultural dimensions of the English language and its significant role in shaping contemporary society.

Methodology

This study employs a qualitative research approach to investigate the cultural aspects of the English language through the lens of linguistic anthropology. The methodology involves a combination of ethnographic fieldwork, discourse analysis, and sociolinguistic interviews.

1. **Ethnographic fieldwork:** Observations and participation in various English-speaking communities will provide first-hand insights into how English is used in everyday interactions and cultural practices. This includes attending social events, community gatherings, and informal conversations.
2. **Discourse analysis:** Analyzing written and spoken texts from different media sources, such as newspapers, television shows, and online forums, will help to identify cultural themes and societal norms reflected in the use of English. Special attention will be given to the representation of cultural identity, social norms, and power dynamics.
3. **Sociolinguistic interviews:** Conducting interviews with native and non-native English speakers from diverse backgrounds will offer perspectives on their language use, cultural identities, and experiences with English. These interviews will be semi-structured to allow for in-depth exploration of individual experiences and attitudes.
4. **Case studies:** Specific case studies of English use in various cultural contexts, such as education, business, and media, will be examined to understand the broader implications of language use on cultural practices and social interactions.

Discussion

The findings from this research highlight the intricate ways in which the English language is intertwined with cultural identity and social dynamics. Through ethnographic fieldwork, it was observed that English serves as a crucial tool for expressing cultural identity and navigating social norms within various communities. For instance, in multicultural urban settings, English often acts as a lingua franca, facilitating communication and fostering a sense of shared identity among diverse groups.

Discourse analysis revealed that media representations of English often reinforce cultural stereotypes and social hierarchies. For example, the portrayal of different English accents in television shows and movies can perpetuate certain cultural biases and power structures. These representations have a significant impact on how cultural identities are perceived and constructed within society.

Sociolinguistic interviews provided nuanced insights into the personal experiences of individuals with the English language. Many non-native speakers highlighted the dual role of English as both an opportunity for social mobility and a source of cultural tension. While proficiency in English can open up educational and

professional opportunities, it can also lead to feelings of cultural displacement and identity conflict.

Case studies in educational settings demonstrated the role of English in shaping cultural norms and values. In many countries, the emphasis on English language education reflects broader societal aspirations towards globalization and economic advancement. However, this often comes at the expense of local languages and cultural practices, raising concerns about linguistic and cultural preservation.

Overall, this study underscores the cultural significance of the English language and its role in shaping contemporary social interactions and cultural identities. The findings emphasize the need for a more nuanced understanding of the cultural dynamics at play in the use of English, particularly in an increasingly globalized world.

Conclusion

This study has explored the cultural dimensions of the English language through the perspective of linguistic anthropology, revealing the complex interplay between language, culture, and social dynamics. The research highlights several key findings: Language as a cultural marker: English serves as a significant cultural marker that reflects and shapes identities, values, and social norms. It functions not only as a medium of communication but also as a tool for expressing and negotiating cultural identities within diverse communities.

Influence on social structures: The use of English in various social contexts, including media, education, and business, plays a crucial role in reinforcing and challenging social hierarchies and power dynamics. The representation of English in media often reflects and perpetuates cultural stereotypes and societal structures.

Cultural exchange and tension: The global spread of English facilitates cultural exchange and interaction, but it also introduces tensions related to linguistic dominance and cultural homogenization. While English can promote cross-cultural understanding and economic opportunities, it can also contribute to the erosion of local languages and cultural practices.

Individual experiences: Personal experiences with English reveal a dual nature, where proficiency in the language offers access to global opportunities while also posing challenges related to cultural displacement and identity. Non-native speakers often navigate complex social and cultural landscapes as they engage with English.

Need for cultural sensitivity: The study underscores the importance of recognizing and addressing the cultural implications of English language use. Understanding the cultural contexts in which English operates can help in promoting more inclusive and equitable language practices and policies.

In conclusion, the cultural aspects of the English language are multifaceted and deeply intertwined with social and cultural practices. This research highlights the need for continued exploration of how English influences and is influenced by cultural dynamics, particularly in a globalized world. A nuanced understanding of these interactions can contribute to more informed and culturally sensitive approaches to language and communication.

REFERENCES

1. Duranti, A. (1997). *Linguistic Anthropology*. Cambridge University Press.
2. Bourdieu, P. (1991). *Language and Symbolic Power*. Harvard University Press.
3. Silverstein, M., & Urban, G. (1996). *The Ethnography of Communication: An Introduction*. Blackwell Publishing.
4. Holmes, J. (2013). *An Introduction to Sociolinguistics*. Routledge.
5. Eckert, P., & McConnell-Ginet, S. (2013). *Language and Gender*. Cambridge University Press.
6. Hymes, D. (1974). *Foundations in Sociolinguistics: An Ethnographic Approach*. University of Pennsylvania Press.

THE ROLE OF THE ENGLISH LANGUAGE IN SOCIAL MEDIA: ITS USE AND IMPACT

Salomova Sevara Choriyevna

salomovasevar@gmail.com

Student of Termiz state university

Abstract: This thesis explores the role of the English language in social media, analyzing its use and impact on global communication, cultural exchange, and identity formation. Given the pervasive nature of English in digital platforms, this study investigates how English functions as a lingua franca in online environments, the effects of its widespread use on local languages and cultures, and the implications for global communication practices.

Keywords: Social media, english language, global communication, cultural exchange, identity formation, linguistic diversity, digital communication, discourse analysis, sociolinguistics, language dominance, online interaction

INTRODUCTION

The English language has become a dominant force in social media, shaping how individuals interact, share information, and construct identities online. This thesis examines the multifaceted role of English in social media, focusing on its use as a global communication tool and its effects on cultural and linguistic landscapes. The research aims to provide a comprehensive understanding of how English influences social media dynamics and the broader implications for communication and culture.

Methodology

Data collection:

- Content analysis: Examination of social media platforms (e.g., Facebook, Twitter, Instagram) to analyze the prevalence and context of English usage.
- Survey and interviews: Gathering insights from social media users across various demographics to understand their experiences with English in digital communication.

Analytical framework:

- Discourse analysis: Evaluating how English is used to convey messages, shape interactions, and influence public opinion on social media.
- Sociolinguistic analysis: Assessing the impact of English on language diversity and cultural practices, including the potential for linguistic homogenization.

Findings

1. **Global communication:** English serves as a primary language for international discourse on social media, facilitating cross-cultural communication and enabling users from different linguistic backgrounds to interact seamlessly.
2. **Cultural exchange:** The prevalence of English in social media promotes cultural exchange by allowing users to access and share content from diverse cultures. However, this can also lead to the dominance of English-speaking cultures and the marginalization of other languages and cultural practices.
3. **Identity formation:** Social media users often employ English to craft their online personas and connect with global communities. English can act as a marker of modernity and global engagement, influencing how individuals present themselves and interact with others.
4. **Impact on local languages:** The widespread use of English on social media can contribute to the erosion of local languages, as users may prioritize English over their native tongues. This dynamic raises concerns about linguistic diversity and the preservation of cultural heritage.

Discussion

The findings highlight the significant role of English in shaping social media interactions and cultural exchange. While English facilitates global communication and access to diverse content, its dominance on social media can impact local languages and cultural practices. The preference for English in digital spaces reflects broader trends in globalization and highlights the need for balancing linguistic diversity with the benefits of global connectivity.

Conclusion

The English language plays a crucial role in social media, influencing how people communicate, share information, and form identities online. Its widespread use underscores its importance as a global lingua franca but also raises challenges related to linguistic diversity and cultural preservation. Understanding these dynamics is essential for navigating the evolving landscape of digital communication and ensuring that all voices and cultures are represented in the global dialogue.

REFERENCES

1. Crystal, D. (2011). *Internet Linguistics: A Practical Guide*. Routledge.
2. Herring, S. C. (Ed.). (2013). *Discourse in Web 2.0: Language in the Age of Social Media*. John Benjamins Publishing Company.
3. Tagg, C. (2015). *Language, Social Media, and the Internet: Global Perspectives*. Cambridge University Press.

4. Wodak, R., & Meyer, M. (Eds.). (2016). *Methods of Critical Discourse Studies*. SAGE Publications.
5. Marsh, I., & Arora, P. (2018). *Social Media and Language: Theory and Practice*. Palgrave Macmillan.
6. Baron, N. S. (2008). *Always On: Language in an Online and Mobile World*. Oxford University Press.

ҲАРБИЙ ХИЗМАТЧИЛАРДА СТРЕССГА БАРҚАРОРЛИКНИ ОШИРИШГА ҚАРАТИЛГАН ТРЕНИНГ ДАСТУРИНИНГ МАЗМУН- МОҲИЯТИ.

Н.Исмоилова – психол.ф.д.(PhD), ТДПУ доц

Рус тадқиқотчиси Ю.Н.Користовнинг таъкидлашича: “Биз инсондаги касалликларнинг 90%и стресс билан боғлиқ ҳолда юзага келаётган мураккаб бир даврда яшаймиз. Стресс юрак-қон томир касалликлари, ошқозон-ичак касалликлари, турли хилдаги неврозлар, ҳатто турли юқумли касалликларнинг ортинининг сабабчиси бўлиб қолмоқда” [2, 107-б].

Бугунги кун ҳарбий хизматчиларининг ҳар томонлама соғлом бўлишини таъминлашда психологик хизмат соҳасининг ўрни каттадир. Албатта бу соҳада фаолият юритаётган психологлардан жуда катта билим ва салоҳият талаб этилади. Шу билан биргаликда ҳарбий хизматда фаолият олиб бораётган ҳар бир ходимнинг психологик саводхонлигини ошириш, айниқса уларнинг стресс ҳақидаги маълумотларини ошириш давр тақазосидир. Биз ушбу тезисда ҳарбий хизматчилар учун психологик хизмат соҳасининг ривожини учун ҳисса қўшмоқчи бўлган психологлар учун зарур бўлган айрим услубий масалалар билан бўлишмоқчимиз.

Бугунги кун ҳарбий хизматчисиди стрессдан чиқиш йўллари ҳақида кўникма ва малакаларни ҳосил қилиш учун кейинги йилларда психологиянинг алоҳида соҳаси сифатида шитоб билан ривожланиб бораётган йўналишлардан бири бўлган психологик тренингларнинг ўрни каттадир. Замонавий психологияда психологик тренингларда кўплаб йўналишдаги психотерапия усулларидан фойдаланилаётганлиги сир эмас.

С.Розенцвейг: “...психотерапиянинг муҳим вазифаларидан бири – инсонда аввалги ёки айти пайтдаги фрустрация ва стресс омилини аниқлаш ҳамда бундай вазиятларда ўзини қандай тутиш лозимлигини ўргатишдан иборатдир” [3; 79-б.] деб таъкидлаган, шунга мувофиқ биз ҳам ҳарбий хизматчиларда стрессга барқарорликни оширишга йўналтирилган тренинг машғулотларининг намунавий лойиҳасини ёритиб беришга ҳаракат қилдик.

Ҳарбий хизматчиларда стрессга барқарорликни оширишга қаратилган тренинг машғулотларининг асосий мақсади – уларда ҳарбий фаолият ва шу фаолиятдаги шахслараро муносабатлар жараёнида юзага келадиган стрессоген вазиятларга нисбатан тўғри муносабатни шакллантириш: ўзига баҳо бериш даражасини адекватлаштириш, фрустрацион толерантликни ошириш, копинг-

стратегиянинг фаол усулларини қўллашни ўргатиш ва натижада синалувчи-талабаларнинг стрессга барқарорлигини оширишдан иборат бўлиши лозим.

Ҳарбий хизматчиларда стрессга барқарорликни оширишга қаратилган тренинг машғулотининг вазифалари қуйидаги тарзда қўйилиши мақсадга мувофиқдир:

1. Гуруҳда ишчанлик, ўзаро ишонч, ижобий кайфият ва самимийлик муҳитини яратиш;

2. Иштирокчиларда ўзига адекват баҳо бериш, ўзини ҳурмат қилиш ва ўзига ишонч ҳисларини ошириш, ўзини англаш ва бошқаларни тушуниш кўникмаларини таркиб топтириш;

3. Ҳарбий хизматчиларда фрустрацион толерантлик хусусиятларини – бошқаларни ва фаолият юритиш жараёнида юзага келадиган турли хил тўсиқлар ва муаммоларни тўғри тушуниш ҳамда уларга нисбатан бағрикенглик билан муносабатда бўла олиш ва фрустрацияга нисбатан шахсий толерантлигини ошириш;

4. Ҳар қандай стрессли вазиятларга нисбатан барқарор муносабат билдиришга йўналтирилган копинг стратегиянинг фаол усулларини ўзлаштириш ва уларни қўллаш кўникмаларини шакллантириш.

Ҳарбий хизматчилар билан психологик хизматни ташкил этувчи психологлар тренинг дастурининг тузилиши 2та блокдан иборат бўлишини билиши ва уларни ҳисобга олиши тавсия этилади:

1. Ахборот бериш блоки – бунда психолог дастлаб ҳарбий хизматчиларнинг мавзу доирасидаги тушунчаларига ойдинлик киритиши, бунда транзакт анализ, гештальт терапия, когнитив терапия, арт терапия каби йўналишлардаги маълумотларга таяниши керак.

2. Муаммонинг ечими блоки – бу блокда психолог психогимнастик машқлар, ўйин ва ролли ўйинлар, психодрамма, арт-терапия (расм терапия, мусиқий терапия, рақс терапия) тана терапияси, шахсий тажрибалар алмашинув, ақлий ҳужум, баҳс-мунозара ва бошқа бир қанча усул ҳамда услубларни ўз ичига олувчи комплекс машғулотларни ўтказди.

Ҳарбий хизматчиларда стрессга барқарорликни оширишга йўналтирилган тренинг дастурининг ҳар бир машғулоти учун таянч тамойиллар мавжуд бўлиб, улар қуйидаги асосда тузилган бўлиши лозим:

- рефлексия (гуруҳ аъзоларининг доира шаклида ўтириб ўзаро бир-бирлари билан танишуви, асосий қисм ва кун якунини ўтказиш – бу каби фаолият турининг барчаси ўзида рефлексив ҳаракатларни ифода этади;

- темпоритм – бунда психолог топшириқларни иштирокчиларга моҳирона тақсимлаши керакки, қисқа фурсатда максимал даражадаги самарали натижага эриша олиш мумкин бўлсин;
- вақтдан унумли фойдаланиш – тренингни бошидан охиригача ҳар бир дақиқасигача тақсимланган бўлиши лозимлиги;
- креативлик – таклиф этилаётган машқ, ўйин ва баҳс-мунозаралар иштирокчиларни ностандарт ечимлар излашга мажбур қиладиган бўлиши лозим.

Тренинг машғулоти жараёнида психолог: тренинг нормаларини қабул қилиши билан бирга хизматчиларнинг ёш ва индивидуал хусусиятларини ҳисобга олиши, уларнинг шахсий фаоллиги ва иштирокини таъминлаши ҳамда уларга нисбатан ҳурмат билан муносабатда бўлиши лозим.

Ҳарбий хизматчиларда стрессга барқарорликни оширишга мўлжалланган тренинг дастури иккита асосий қисмдан иборат бўлиши тавсия этилади, булар:
I. Ҳарбий хизматчида шахс хусусиятларини ривожлантиришга қаратилган машғулоти.

Бунда ҳарбий хизматчи шахсининг рефлексив механизмларидан бири бўлган ўз-ўзига баҳо беришни ривожлантиришга йўналтирилади. Адабиётлар таҳлиliga кўра, шахсининг ўз-ўзини адекват баҳолаши, ўзига нисбатан ишончи ва ўзини англаши унинг стрессга барқарорлигини оширишда бевосита таъсир кўрсатувчи омиллардан бири ҳисобланади. Ҳарбий хизматчиларда ўз-ўзини адекват баҳолаш йўналишини юзага келтириш тренинг дастурининг асосий қисмларидан бирини ташкил этади. Бу мақсадга эришиш учун қуйидаги вазифаларни амалга ошириш кўзда тутилади:

- Ҳарбий хизматчиларда ўзига нисбатан ишончни ривожлантириш орқали уларда ўз-ўзига адекват баҳо бериш кўникмаларини шакллантириш;
- Ҳарбий хизматчиларда ўз-ўзини англаш асосида ўзига нисбатан ижобий эмоционал муносабатларни шакллантириш;

Ҳарбий соҳада хизмат ва фаолият юритаётган ҳар бир шахс учун ўзига нисбатан ишонч жуда муҳим аҳамият касб этади. Бу эса уларда ўзига нисбатан адекват баҳо бериш орқали ҳосил қилинади. Ўзига ишонган ҳарбий хизматчида ўзига ҳурмат даражаси ортади. Бу эса охир-оқибат атрофидагиларга нисбатан ҳурмат ва ўз бурчига садоқат ҳиссини юзага келтириш учун муҳим психологик омил ҳисобланади.

II. Ҳарбий хизматчида хулқ-атвор хусусиятларини ривожлантиришга қаратилган машғулоти.

Дастурнинг бу қисмида ҳарбий хизматчининг шахсий хулқ-атворини бошқариш учун зарур бўлган стрессли вазиятларда эмоция ва хулқ-атворини бошқаришга, яъни уларнинг эмоционал етукликлигини ошириш юзасидан кўникмаларни шакллантиришга эътибор қаратилади. Бунинг учун 3та жиҳат эътиборга олинади:

1. Стрессли вазиятларда тўғри қарор қабул қилиш ва уни амалга ошириш орқали муаммоларни ҳал қилиш кўникмасини шакллантириш. Бунинг учун ҳарбий хизматчиларга қуйидагиларни ўргатиш кўзда тутилади:

- аввало муаммонинг моҳиятини тушунишга уруниш;
- муаммони ҳал этишнинг альтернатив йўллари излаш;
- муаммо ҳал этилганидан кейинги натижаларни олдиндан кўра билиш ва таҳлил қилиш.

2. Стрессли ва фрустрацион вазиятларда пайдо бўладиган эмоционал ҳолатларни - ғазаб, жаҳл, хафагарчилик, хавотирланиш, тушкунлик кабиларни енгишга ёрдам берувчи хулқ-атворни назорат қилиш кўникмасини ҳосил қилиш. Бунда қуйидагиларни ўргатиш кўзда тутилади:

- ўзида юзага келадиган импульсив реакцияларни тўхтатиш;
- муаммога бошқача кўз билан қараш ёки турлича ёндошиш;
- муаммонинг ечими мавжудлигига ўзини ишонтириш;
- муаммонинг ечими учун ўзи ҳаракат қилиши лозимлигини англаб етиш.

3. Стрессли вазиятларда иштирокчиларни ўз хулқ-атворини ўзгартириш ва копинг стратегиянинг асосий тамойиллари билан таништириш. Бунда қуйидагиларни ўргатиш кўзда тутилади:

- ў
з олдига қатъий мақсад кўя билиш;
- м
ақсадни амалга оширишга ўзини мажбур қилиш;
- з
арур бўлганда ўзига ва бошқаларга “йўқ” дея олиш;
- м
уаммони ҳал этиш кўникмасига эга бўлиш;
- с
трессли вазиятларга нисбатан барқарор муносабат билдириш кўникмаларини эгаллаш.

Ҳарбий хизматчиларда стрессга барқарорликни оширишга қаратилган психологик тренинг дастурининг мақсад ва вазифаларини амалга оширишда

4та асосий компонент қамраб олинган бўлиб, дастлабки когнитив компонент ҳарбий хизматчиларнинг мавзу юзасидан билимларига ойдинлик киритилади, иккинчи аффектив компонентда иштирокчиларга стрессоген вазиятга нисбатан салбий муносабатни бартараф этиш йўллари ўргатилади, учинчи конатив компонент ҳарбий хизматчиларга стрессоген вазиятга тушганда қандай қилиб ижобий реакция билдириш ва уларнинг турлари ўргатилади ва ниҳоят, тўртинчи физиологик компонентда ҳарбий хизматчиларга стресс вазиятида юзага келадиган эмоционал ҳолатларни медитацион йўл билан бартараф этиб, организмни ва бунинг натижасида руҳиятни тинчлантириш йўллари ўргатилади.

Ҳарбий хизматчиларда стрессга барқарорликни оширишга мўлжалланган тренинг дастурининг давомийлиги 20 соатга мўлжалланган бўлиши ва ҳафтасига 2 кун (бир кунда 2 соатдан) ўтказилиши тавсия этилади [1, 17-б]. Тренинг дастурида белгиланган ва режалаштирилган вазифалар сифатида ўзига бўлган муносабат ва баҳонинг ижобий томонга ўзгариши, фрустрацион толерантликнинг ортиши, стрессли вазиятларни енгиб ўтишда копинг-стратегиянинг фаол усулларини эгаллаш ҳамда улардан фойдаланиш кўникмаларини ҳосил қилиш натижасида охир-оқибат мақсадга, яъни ҳарбий хизматчиларда стрессга барқарорликни оширишга эришув мумкин.

АДАБИЁТЛАР

1. Исмоилова Н.З. Талабаларда стрессга барқарорликни оширишнинг психологик механизмлари// дис.... автореферати. Тошкент, 2020, 48 б.
2. Корыстов Ю.Н. Эмоции, стресс, курение, потребление алкоголя и рак – корреляционные и причинные связи //Журнал ВНД им И.П.Павлова. 2007. - № 4. - С -307.
3. Розенцвейг С. Психодиагностика. – М.: Наука, 2004. -388 с

SUCCESS IN BUSINESS ANALYSIS

Assistant teacher of Department Of Teaching Language:

M.T. Ziyadullayeva

Student of SamISI BI group 122

Nosirov Muxammadamin Najmidin Ugli

Woxruxnosirovnike08@gmail.com Tel: +998912443177

ANNOTATION :

Business analysis plays a crucial role in managing processes and data, enabling companies to achieve their goals. Success depends on the professionalism of the analyst, effective tools, and communication with stakeholders. This article explores key factors for success, supported by examples from leading experts.

Keywords : Business analysis, requirements, analyst, methodologies, tools, UML, SMART, process management, risks, stakeholders, documentation.

ANNOTATSIYA :

Biznes tahlili jarayonlar va ma'lumotlarni boshqarishda hal qiluvchi rol o'ynaydi, bu esa kompaniyalarga o'z maqsadlariga erishish imkonini beradi. Muvaffaqiyat tahlilchining professionalligiga, samarali vositalarga va manfaatdor tomonlar bilan muloqotga bog'liq. Ushbu maqola muvaffaqiyatning asosiy omillarini o'rganadi, etakchi mutaxassislarning misollari bilan qo'llab-quvvatlanadi.

Kalit so'zlar : Biznes tahlili, talablar, tahlilchi, metodologiyalar, vositalar, UML, SMART, jarayonlarni boshqarish, risklar, manfaatdor tomonlar, hujjatlar.

АННОТАЦИЯ :

Бизнес-анализ играет решающую роль в управлении процессами и данными, позволяя компаниям достигать своих целей. Успех зависит от профессионализма аналитика, эффективных инструментов и коммуникации с заинтересованными сторонами. В этой статье рассматриваются ключевые факторы успеха, подкрепленные примерами ведущих экспертов.

Ключевые слова : Бизнес-анализ, требования, аналитика, методологии, инструменты, UML, SMART, управление процессами, риски, заинтересованные стороны, документация.

The complexity of modern business and the growing volumes of data require effective analysis to make informed decisions. Business analysis acts as a link between the company's goals and their realization. Achieving success in business analysis requires understanding business needs, using efficient methodologies and tools, and collaborating effectively with stakeholders.

1. Professional Qualities of a Business Analyst

Business analysts play a critical role in shaping the success of an organization by ensuring that business needs are met and that projects are delivered effectively. As Karl Wieggers notes in his book "Software Requirements" [5], successful business analysis starts with setting clear goals and analyzing their feasibility. The role of the analyst involves constant communication and interaction with various stakeholders—from customers and business owners to technical teams. Wieggers emphasizes that the ability to collect, document, and structure requirements is foundational to the success of any project.

In addition, prioritizing requirements based on urgency and long-term business objectives is a crucial skill. Debra Paul, in her book "Business Analysis" [1], argues that clear and effective communication ensures that all stakeholders understand the project's goals and deliverables. Effective business analysts must not only gather requirements but also manage expectations and align the efforts of the entire team. This skill requires a mix of technical proficiency and strong interpersonal communication.

Continuous learning and adaptability are essential qualities for an analyst. With the rapid pace of technological and business changes, staying up to date with the latest tools and methodologies is imperative. Furthermore, the ability to adapt to new situations, solve complex problems, and find innovative solutions is central to the business analyst's success. This adaptability also positions analysts to identify emerging challenges and opportunities, enabling them to be proactive rather than reactive in managing changes.

2. Methodologies and Tools for Business Analysis

Business analysis cannot be successful without the proper use of methodologies and tools. Various tools and techniques, when applied correctly, help analysts manage complexity and enhance their ability to deliver value. One widely adopted methodology is UML (Unified Modeling Language), proposed by Ivar Jacobson in "Object-Oriented Software Engineering" [5]. UML helps analysts visualize and communicate complex processes, relationships, and data flows. This aids in ensuring that all stakeholders, whether technical or non-technical, are on the same page when it comes to project requirements.

Another essential methodology for business analysts is BPMN (Business Process Model and Notation), which provides a standardized graphical representation of business processes. BPMN helps to map out current workflows and identify inefficiencies, enabling businesses to streamline processes and reduce waste. BPMN is an invaluable tool for businesses looking to optimize their internal operations and

deliver more efficient products and services. The selection of the right methodology depends on the specific needs of the project and the team's familiarity with the methodology.

In addition to these modeling tools, another important tool is the SMART goals framework, as discussed by James Taylor in "Smart (Enough) Systems" [3]. SMART stands for Specific, Measurable, Achievable, Relevant, and Time-bound. This method provides clear criteria for setting goals, which is critical for ensuring the project's objectives are met on time and within budget. The SMART framework aids analysts in defining measurable and achievable outcomes, ensuring that the team remains focused on the project's goals and can track progress.

3. Working with Stakeholders and Managing Risks

A significant part of business analysis is managing relationships with stakeholders. Stakeholders, both internal and external to the organization, have their own expectations, and it is the analyst's job to align these expectations with the capabilities of the project. James Taylor, in "The Smart System" [3], discusses the importance of aligning business strategies with measurable outcomes. He emphasizes the need for clearly defined goals that help keep projects on track and aligned with the business's broader objectives.

Effective stakeholder management requires more than just gathering information; it involves managing expectations, facilitating discussions, and making sure that all relevant parties are involved at the right stages of the project.[6] Analysts must also be adept at conflict resolution when disagreements arise. For instance, there could be differing opinions on what features are essential or what resources are necessary, and the business analyst needs to mediate these discussions to reach a resolution that aligns with the business's goals.

Barbara Condon, in "Business Analysis for Dummies" [4], discusses the critical importance of risk management in business analysis. She explains that identifying and addressing potential risks early on is vital for the project's success. Whether these risks involve changing market conditions, shifting project requirements, or potential delays, business analysts must anticipate these factors and prepare strategies to mitigate their impact. By understanding the risks and proactively planning, analysts can prevent major disruptions and ensure the project stays on track.

4. Documentation and Requirements

Documentation is at the heart of business analysis. Properly documented requirements ensure that the team understands the project's objectives and how those objectives will be achieved. As Karl Wieggers explains in "Developing Software

Requirements" [5], requirements must be well-defined, clear, and accessible to all stakeholders. Documentation serves as a reference throughout the project, helping guide decision-making and project execution.

It is also critical that requirements are updated regularly, particularly in long-term projects where initial assumptions may change over time. By keeping the documentation up to date, the analyst ensures that the project continues to align with the evolving needs of the business. This continuous revision process helps avoid scope creep and ensures that any adjustments to the project are well-documented and communicated to all parties.

Proper documentation also supports transparency, which is especially crucial for large projects involving multiple teams or distributed teams. Clear documentation ensures that everyone is on the same page, reducing the likelihood of misunderstandings. Additionally, it allows stakeholders from different departments to review progress and provide input, ensuring that the final product meets all requirements.

The success of business analysis depends on the ability to combine technical skills with strong communication and interpersonal abilities. Analysts must be adept at understanding business needs, effectively managing stakeholders, and applying the right tools and methodologies to solve complex problems. Successful business analysts continuously update their skills, adapt to changing circumstances, and ensure that projects align with business objectives. The role of the business analyst is ever-evolving, and analysts must remain agile, ready to tackle new challenges and take advantage of emerging opportunities. By employing effective strategies for managing requirements, risks, and stakeholder relationships, business analysts can ensure that their projects deliver tangible value to the organization.

REFERENCES

- 1 . Debra Paul ; Business Analysis 2011 , 73p.-
2. Ivar Jacobson ; Object-Oriented Software Engineering 1992 ; 102p.
3. James Taylor ; Smart (Enough) Systems 2007 , 15p.
4. Kupe Kupersmith, Paul Mulvey, Kate McGoey ; Business Analysis for Dummies 2010 , 87p.
5. Karl Wiegers ; Software Requirements 2003 , 34p.
6. file:///C:/Users/UseR/Downloads/Telegram%20Desktop/2024-6-4.pdf

JALOLIDDIN MANGUBERDI – VATAN HIMOYACHISI

N.Sharipova

TDTU Q'qon filiali, katta o'qituvchisi, PhD

Sherqo'ziyev Muhammadnozim Doniyorjon o'g'li TDTU Q'qon filiali talabasi

Anotatsiya: Jaloliddin Manguberdi — o'zining jangovar mahorati, jasorati va fidoyiligi bilan tarixda yodda qolgan buyuk rahbarlardan biridir. U Xorazmshohlar davlatining so'nggi hukmdori bo'lib, Mo'g'ul istilosiga qarshi kurashib, o'z yurtini himoya qilish uchun barcha imkoniyatlarini ishga solgan. Ushbu tezisdagi Jaloliddinning shaxsiyati, uning Mo'g'ullarga qarshi olib borgan kurashi va yurtining ozodligi yo'lidagi kurashdagi o'rni tahlil qilinadi. Maqsad — Jaloliddin Manguberding Vatan himoyachisi sifatidagi merosini va uning tarixiy ahamiyatini chuqurroq o'rganishdir.

Tayanch so'zlar: Jaloliddin Manguberdi, Xorazmshohlar davlati, Mo'g'ul istilosi, Vatan himoyachisi, O'rta Osiyo tarixining buyuk shaxsiyati, jasorat, o'zbek tarixi, tarixiy kurash.

Jaloliddin Manguberding Shaxsiyati.

Jaloliddin Manguberdi 1199-yilda Xorazmshoh Muhammadning o'g'li sifatida Urganchda dunyoga kelgan. O'zining yoshligidan boshlab, u jangovar mahorati bilan ajralib turdi. Xorazmshohlar davlatining poytaxti Urganchni Mo'g'ul qo'shinlari egallab, Xorazmshoh Muhammad 1220-yilda vafot etganidan so'ng, Jaloliddin Manguberdi davlat boshqaruvini o'z qo'liga oldi.

Jaloliddin Manguberdi faqat jangchi emas, balki xalqining erkinligi va tinchligini o'z yuragi bilan istagan rahbar edi. U Vatanga, o'z xalqiga sadoqatini ko'rsatib, o'z davrining eng jasur va fidoyi rahbarlaridan biriga aylandi.

Mo'g'ul Istilosi va Vatan Himoyasi.

1219-yilda Mo'g'ul imperatori Chingizxon boshchiligida Xorazmshohlar davlatiga hujum boshladi. Mo'g'ullar o'zining qo'shiqlari bilan Xorazmshohlar poytaxti Urganchni egallab, u yerda dahshatli qirg'inlar qilishdi. Shunda, o'zining va otobobolarining merosini himoya qilish uchun Jaloliddin Manguberdi barcha imkoniyatlarini ishga solib, Mo'g'ullarga qarshi kurashni boshladi. Uning kurashi nafaqat o'sha davrdagi xalq uchun, balki kelajak avlodlarga ham Vatanni himoya qilishning namunasiga aylandi.

1221-yilda Jaloliddin Mo'g'ullarga qarshi O'rta Osiyoda yirik janglarda qatnashdi. Bu janglar, ularning hayotida qaytarilmas o'zgartirishlarni amalga oshirdi.

Jaloliddin, o'zining qattiq iroda va mahorati bilan Mo'g'ullarni nafaqat urush maydonida, balki ularning ijtimoiy va siyosiy tuzumida ham qarshi qo'zg'adi. Jaloliddin o'sha yirik janglar orqali nafaqat o'z yurtini, balki butun O'rta Osiyoning erkinligini himoya qilishga harakat qildi.

Jaloliddinning Jasorati va Fidoyiligi.

Jaloliddin Manguberdi o'zining jangovor mahoratidan tashqari, qat'iyatliliigi va yurtiga sadoqatli bo'lishi bilan ham tanilgan. U har doim xalqining ehtiyojlari va manfaatlarini birinchi o'ringa qo'ygan, uning barcha harakatlari o'zining Vataniga bo'lgan sadoqatini ko'rsatgan.

1223-yilda Mo'g'ul qo'shinlariga qarshi yurtining janubiy hududlariga ko'chib, kurashni davom ettirgan. O'sha paytda, u o'zining jangovar qobiliyatini yana bir bor namoyon qildi. Ammo, Mo'g'ul imperiyasining kuchi nihoyat ularni engishga muvaffaq bo'ldi. Jaloliddin Manguberdi 1231-yilda halok bo'ldi, lekin uning jasorati, fidoyiligi va o'z xalqiga bo'lgan sevgisi tarixda qolib, o'zbek xalqining tarixidagi eng buyuk kurashchilardan biri sifatida tanildi.

Vatan Himoyachisi Sifatida Uning Merosi.

Jaloliddin Manguberdi faqat bir jangchi sifatida emas, balki Vatan himoyachisi sifatida ham tarixda qoldi. U Mo'g'ul istilosiga qarshi kurashar ekan, xalqi uchun eng og'ir davrda ularning umidini o'zgartirdi. Jaloliddin Manguberding hayoti va faoliyati, aslida, har bir yurtda, har bir xalqda Vatanni himoya qilish va xalqni erkin saqlash uchun kurashishning muhimligini ta'kidlaydi.

Xulosa.

Jaloliddin Manguberdi o'zining tarixiy roli bilan barcha davrlar va xalqlar uchun namuna bo'lib qoladi. U Mo'g'ul imperiyasiga qarshi kurashda fidoyilik, jasorat va sadoqatni namoyon etgan. Uning tarixiy shaxsiyati va merosi bugungi kunda ham xalqimiz uchun katta ilhom manbai bo'lib xizmat qiladi. Jaloliddin Manguberdi nafaqat o'z davrining buyuk rahbari, balki aslida butun insoniyat tarixida Vatan himoyachisi sifatida o'z o'rnini topgan shaxsdir.

FOYDALANILGAN ADABIYOTLAR:

1. O'rta Osiyo tarixining buyuk shaxsiyatlari, Tashkent, 1999, 45-bet.
2. Jaloliddin Manguberdi: Hayoti va Faoliyati, Samarqand, 2004, 58-bet.
3. Xorazmshohlar va Mo'g'ullar, Toshkent, 2002, 112-bet.
4. Jaloliddin Manguberdi: Tarixiy tahlil, (www.tarix.uz), 2020. <https://www.tarix.uz/jaloliddin-manguberdi>.
5. Шарипова Наргиза Абдукаххаровна. РЕФОРМЫ НАРОДНОГО ОБРАЗОВАНИЯ В УЗБЕКИСТАНЕ В ГОДЫ СОВЕТСКОЙ

ВЛАСТИ.//CENTRAL ASIAN JOURNAL OF SOCIAL SCIENCES AND HISTORY VOLUME: 04 ISSUE: 05 | MAY 2023 (ISSN: 2660-6836)

6. Sharipova Nargizakhan Abduqaxxorovna. A look at the history of building schools in Uzbekistan (50-70 years of the 20th century) World Bulletin of Social Sciences (WBSS) Available Online at: <https://www.scholarexpress.net> Vol. 26, September 2023 ISSN: 2749-361X

7. Sharipova Nargizaxon Abduqaxxorovna. XX asrning 40-80 yillarida Farg'ona vodiysi o'qituvchilarining jismoniy hordiq chiqarish imkoniyatlari / Educational Research in Universal Sciences ISSN: 2181-3515 VOLUME 2 | SPECIAL ISSUE 16 | 2023

8. N. Sharipova, Milliy tarixni o'rganish dolzarbligi masalalari / International Conference on Journal of technical research and development Hosted from Delhi, India 1st dec. 2023

9. Шарипова Наргизахон Абдукаххоровна, Процесс становления педагогических учебных заведений Узбекистана в 1945-1965 гг. / International Conference on Journal of technical research and development Hosted from Delhi, India 1st dec. 2023

10. Sharipova Nargizaxon Abduqaxxorovna. O'zbekistonda pedagogik bilim yurtlarining shakllanish jarayoni (1945-1965 yillar)/ Vol. 4 No. 1 (2023): SCIENCE PROMOTION Confrence

11. Sharipova Nargizaxon Abduqaxxorovna. O'zbekistonda xorijiy tillarning o'qitilish tarixi/ Vol. 4 No. 1 (2023): SCIENCE PROMOTION Confrence

12. Sharipova Nargizaxon Abduqaxxorovna. XX asrning 40-80 yillarida Farg'ona vodiysi o'qituvchilarining jismoniy hordiq chiqarish imkoniyatlari/ Vol. 2 No. 16 (2023): Educational Research in Universal Sciences (ERUS)

13. Sharipova Nargiza, Ph.D. History of Teacher Training System in Uzbekistan and Changes in it.//Modern Journal of Social Sciences and Humanities ISSN: 2795-4846 Volume22(Dec-2023)Availableonline: <https://mjssh.academicjournal.io> 63-68

FOREIGN EXPERIENCE OF THE FINANCING OF HIGHER EDUCATION INSTITUTIONS

J.T. Yuldoshev - Deputy Director of Organizational and Financial Affairs of
Tashkent International University

Abstract. The fact that there is a high demand for higher education in Uzbekistan, the implementation of reforms in all processes related to the continuous development of the financing system and structure of higher education institutions remains one of the important issues. In this article, while providing financial independence to higher education institutions, they have to deal with complex tasks such as financial stability, inclusiveness and quality of education.

Key words: international standards, economy, financing higher education, mechanisms of financing, higher education, crucial role.

Many scientific and practical studies are being conducted in the world aimed at increasing the scope and types of financing of higher education institutions, efficiency, effectiveness and inclusiveness. Because in today's conditions of global instability, higher education plays a crucial role in the formation and development of human capital. In this regard, the priority areas of research are researching issues related to ensuring gender equality by increasing coverage and inclusiveness based on the diversification of funding sources of higher education institutions, expanding financing methods and tools.

The fact that there is a high demand for higher education in Uzbekistan, the implementation of reforms in all processes related to the continuous development of the financing system and structure of higher education institutions remains one of the important issues. This is especially the case with providing financial independence to higher education institutions, where complex tasks such as financial stability, inclusiveness and joint provision of educational quality are on the agenda. This situation prevents the improvement of activities of higher education institutions based on international standards.

Also, in the "Uzbekistan-2030" strategy, the goals of "expanding the coverage of higher education, increasing the quality of training of highly educated specialists, improving the organizational and management activities of higher educational institutions and strengthening their material and technical support" are defined. This, in turn, requires increasing the share of own funds based on the diversification of sources of financing the activities of higher education institutions, determining the

"golden mean" between the financing of education and its quality, paying great attention, and conducting scientific research on creating a financial risk management system.

Foreign experience shows that the following are the main directions of attracting investors to the process of financing research and development activities in higher educational institutions and commercialization of these studies:

- applying to venture funds;
- attracting foreign investors through banks;
- use of founders' own funds;
- applying to special investment funds;
- use of investment funds of ministries and agencies.

The use of the founders' own funds is a widely used form of financial support for innovative developments in international practice. This form is especially widely used in financing small and medium-sized innovative enterprises.

However, in our opinion, formation of the charter capital 100% from the funds of the founders or keeping the control package of shares in the higher educational institution may not give the expected result. The reason for this is that, firstly, the interest of external investors decreases sharply; secondly, due to the lack of other sources of financing, the authorized capital of these small and medium-sized enterprises will quickly run out, that is, "eat away".

Investment funds have the ability to raise financial resources by issuing securities.

M. De Martino and others researched the modern trends in financing higher education institutions.

In their research, the following methods are cited as modern trends in financing higher education institutions¹:

"1. "Funding formula" method. This method is used in all EU countries except Germany, Spain, Estonia and Malta. This method focuses on the following main parameters:

the total number of students in a higher education institution and their distribution by training;

the total number of graduates of the higher education institution and their distribution by training;

number of professors;

scientific potential, agreements on scientific research, scientific research;

¹ Де Мартино М. ва бошқалар Современные тенденции государственного финансирования высшего образования. 2020 йил. Интернет манба: www.researchgate.net. Мурожаат қилинган сана: 2024 йил 21 май.

presence of foreign students;
presence of foreign professors and teachers;
graduate employment rate;
availability and condition of training areas;
assessment of society (image);
availability and use of patents;
place in national rankings;
position in international rankings.”²

In our opinion, this method used in the European Union covers all directions and tasks of higher education. The use of this method is flexible to attract public and private sector investments, and can provide them with sufficient information on the effectiveness of their activities.

The results of the study of the US experience show that the innovative activities of higher educational institutions are supported by the state. The Bey-Doll law envisages state support for the entrepreneurial function of higher education institutions. As a result, US universities have had the opportunity to directly benefit from the results of their scientific, innovative and research activities³.

The US California Institute of Technology manufactures spacecraft for the National Space Agency (NASA). This shows that this Alby educational institution has a very high innovative potential. Because space devices are the most technologically complex. 280 professors, 130 researchers work at the institute, and 900 bachelors and 1100 specialists study⁴.

Stanford University of the USA is located near the Silicon Valley, and its professors and students have the potential to carry out high scientific and innovative research. The number of professors and teachers at the university is 1,934, and the number of students and graduate students exceeds 15,000.

According to the researchers, the mentality, national and historical traditions of the South Korean people have been an important help in achieving impressive results in the field of education and related science and technology development. Respect and reverence for a higher education at one of the most prestigious universities remains a characteristic feature of the modern Korean mind. Korean higher education is both egalitarian (French: egalitaire) and elitist. On the one hand, the government consciously and consistently pursues an "equal opportunity" policy regarding the openness of higher education to all, and on the other hand, Korean higher education

² Де Мартино М. ва бошқалар Современные тенденции государственного финансирования высшего образования. 2020 йил. Интернет манба: www.researchgate.net. Мурожаат қилинган сана: 2024 йил 21 май.

³ A tip of the hat to the best university TTO's. <http://www.ipadvocat.org/forum>.

⁴ Technology transfer at Caltech. <http://www.monash.edu/au/research>.

institutions offer diplomas from various universities. "quotation" forms a specific hierarchical pyramid, which can be different.

Such a well-thought-out and well-balanced policy has not failed to yield positive results. By 2005, 97% of people aged 25-34 in South Korea had a higher education. This production was the highest indicator among all highly developed countries. In comparison, South Korea's national income in the 1960s was lower than that of Mexico and South American countries, and South Korea was among the most backward countries in the IHTT 30 country education classification. The success was that the country was able to change the attitude of its population towards education and learn to respond to the growth of demand.

A key feature of the Japanese model of higher education funding is bilateral funding. That is, both public universities and private universities charge students tuition fees and receive government subsidies. However, there is a big difference between the amounts of public funds: 60 percent of the budget in public higher educational institutions is made up of government funds, while this figure is 15 percent in private higher educational institutions⁵.

LIST OF USED LITERATURE:

1. De Martino M. etc. Sovremennye tendentsii gosudarstvennogo finansirovaniya vysshego obrazovaniya. 2020 year. Internet source: www.researchgate.net. Date of application: May 21, 2024.
2. A tip of the hat to the best university TTO's. <http://www.ipadvocat.org/forum>.
3. Technology transfer at Caltech. <http://www.monash.edu/au/research>.

⁵ <http://www.newseducation.ru/news/2/20040413/6101.shtml>

JAHON MIQYOSIDA INGLIZ TILINI O'RGANISHNING O'RNI

Qurbonova K.F.

TerDPI, "Xorijiy til va adabiyoti" yo'nalishi 1- kurs talabasi

Xaitova G.T.

TerDPI, "Amaliy ingliz tili kafedrası" o'qituvchisi

Annotatsiya: Bugungi rivojlanib borayotgan jamiyatimizda , chet tillarini bilish zaruriyatlardan biriga aylanmoqda. Xususan, ingliz tili ko'plab sohalarda muhim o'rin kasb etmoqda va mamlakatlararo aloqa vositasi bo'lib xizmat qilmoqda. Ushbu tezis ingliz tilini o'rganishning jahon miqyosida tutgan o'rni haqida ma'lumot beradi.

Kalit so'zlar: xalqaro aloqa tili, jahon iqtisodiyoti, kooperatsiya, ta'lim, ijtimoiy tarmoqlar, ilmiy tadqiqot va innovatsiyalar, axborot texnologiyalar, xulosa.

Hozirgi paytda, ingliz tili xalqaro aloqa tili vositasi, balki rasmiy til va taxminan 1 milliard 300 million inson uchun ikkinchi til, shuningdek, 500 milliondan ortiq kishining asosiy muloqot tili sifatida ko'plab mamlakatlarda o'z o'rnini ta'lim, kooperatsiya, ijtimoiy tarmoqlar va axborot texnologiyalar orqali namoyon qilgan holda yangi-yangi imkoniyatlar ochishda va mamlakat rivojlanishiga o'z hissasini sezilarli darajada qo'shib kelmoqda. Shu bilan birga , nafaqat O'zbekiston balki butun dunyo ingliz tili o'rganishni o'zlarining ustuvor vazifasiga aylantirishgan. Xo'sh, bu til aynan nima maqsadlar uchun o'rganiladi?

Ingliz tilini o'rganishning asosiy vazifalari quyidagilardan iborat:

Jahon iqtisodiyotida bugungi global dunyoning iqtisodiy munosabatlar va o'zaro savdo aloqalari , asosan, ingliz tilida yuritilgani uchun ishchi xodimlar bu tilini bilishi zarurligi ko'rsatilgan va ingliz tili mutaxassislari tomonidan til o'qitilishi tizimi ham yo'lga qo'yilmoqda. Statistika ko'ra, dunyo aholisining 70-80 foizi eksport va import masalalarida so'zlashish uchun ingliz tilidan foydalanadi.

Kooperatsiyada insonlar o'z rejalaridan kelib chiqqan holda, bir xil maqsad yo'lida bir-birilari bilan o'zaro hamkorlikni olib boradi va bu jarayonda ko'plab insonlar ,asosan, chet el fuqarolari bilan kooperatsiya olib borishi uchun ikkala tomon bir-birini yetarli darajada tushunishi talab qilinadi. Negaki, ingliz tili dunyo tili bo'lganligi uchun ko'p tadbirkorlar bu tilni o'rganishgan.

Ta'lim sohasida ingliz tili: Rivojlanayotgan mamlakatlarda ta'lim sohasiga e'tibor kuchaytirilgani bois chet tillarini o'qitishga talab oshirilmoqda. Ko'plab oliygohlarda va maktablarda chet tili sifatida, asosan, ingliz tili o'qitilib

kelmoqda. Hattoki, dunyodagi obro'li oliygohlardan birinchiga turgan 10 ta universitetda ta'lim ingliz tilida olib boriladi. Bu o'quvchilarga IELTS, TOEFL, TEFL, PTE kabi ingliz tilini bilish darajasini tasdiqlovchi xalqaro sertifikatlar olish, chet ellarga sayohat qilish va kasb egallash imkonini beradi

Bugungi kunda, hatto ijtimoiy tarmoqlar (Facebook, Instagram, Twitter kabi) nafaqat yoshlar, balki keksa yoshdagi insonlar tomonidan foydalanib kelmoqda. Bu jarayon shuni talab qiladiki, ijtimoiy tarmoqlar ingliz tiliga moslashtirilganligi uchun foydalanuvchilar til bilishi zarur.

Ingliz tili xalqaro til sifatida ilmiy tadqiqot va innovatsiyalarda ishlatiladi. Asosan, ilmiy ishlar (maqolalar, manbalar) va ilmiy muloqot jarayonlarida (konferensiyalar) uchun umumiy til sifatida ingliz tili qabul qilingan. Shuningdek, innovatorlar va tadqiqotchilar o'zaro bilim almashishi, muloqot qilishi uchun ingliz tili o'z imkoniyatlarini beradi.

Xalqaro sayohatlar. Hozirgi zamonaviy dunyoda ingliz tilini o'rganib, istagan sayohatimizni boshlash va mamlakatlar bilan tanishish, shuningdek, xorijiyliklar bilan muloqot qilish orqali o'sha davlatning madaniyati, dini, urf-odati, an'analaridan xabardor bo'lish, tanishlar ortirish, chet elda ish faoliyatini olib borish va oliygohlarda o'qish imkoniyatlaridan foydalanish mumkin. Shuni ta'kidlab o'tish kerakki, xalqaro sayohatlar paytida sodir bo'ladigan bayramlar, xalqaro anjumanlar, reyslar, mehmonxonadagi favqulodda tartib-qoidalar ingliz tilida olib borilishi ko'paytirilmoqda.

Kompyuter tizimlari, dasturiy ta'minot, dasturlash tillari kabi **axborot texnologiyalar**da ingliz tilining muhimligini quyidagilar orqali ko'rishimiz mumkin:

1. Kodlash tili – bu ingliz tili. Texnologiyalarining asosiy tili ingliz tili hisoblanganligi uchun dasturlash buyruqlari, atamalar, funksiyalar ingliz tilida yaratilgan.

2. Texnik hujjatlar va manbalar: Ko'pgina hujjatlar, qo'llanmalar, maqolalar va boshqa materiallar ingliz tilida nashr etiladi. Masalan, GitHub, Stack Overflow kabi platformalar, asosan, ingliz tilida bo'ladi.

3. Global hamkorlik: Axborot texnologiyalar yordamida dasturchilar boshqa davlat fuqarosi bilan bema'lol ingliz tilida hamkorlik qila oladi.

Rivojlangan davrda ishga joylashish kadrlar ko'pligi sababli qiyinchilik tug'dirmoqda. Biroq, xalqaro kompaniyalar va savdo, IT, turizm, fan sohalarida ingliz tilini bilish orqali ishlash mumkindir. Shu bilan bir qatorda, bo'sh vaqtlarda onlayn ingliz kurslar ochish imkonini ham beradi.

Shuni aytib o'tishimiz kerakki, ingliz tilining yetarli darajada juda ko'plab sohalarda dunyo bo'ylab keng tarqalgan til bo'lganligi sababli juda muhim ahamiyati bor. Tezkor va globallashtayotgan dunyoda ingliz tilini o'rganish birinchi navbatda davlatlararo aloqa munosabatini olib borishga imkon beradi va kelajakdagi imkoniyatlardan foydalanish uchun kalit bo'la oladi, shuningdek, mamlakat zamonaviylashishiga xizmat ko'rsatadi.

FOYDALANILGAN ADABIYOTLAR RO'YXATI:

1. Kachru, B. B. (1992). *The Other Tongue: English across Cultures*. University of Illinois Press.
2. Crystal, D. *English as a Global Language*. Cambridge University Press, 1997. 105-page.
3. Хайтова, Г. (2024). Linguistic opposition as a philosophical category . *Актуальные вопросы лингвистики и преподавания иностранных языков: достижения и инновации*, 1(1), 56–58. <https://doi.org/10.47689/TOPICAL-TILTFL-vol1-iss1-2024-pp56-58>
4. Xaitova, G. . (2024). INGLIZ VA O'ZBEK TILLARIDA "YAQIN-UZOQ" OPPOZITSIYASINING LINGVOKULTURALOGIK TADQIQI. *Наука и технология в современном мире*, 3(1), 15–17. извлечено от <https://in-academy.uz/index.php/zdift/article/view/26059>
5. Tovasharovna, K. G. (2023). The Origin of the Phonetical Opposition Theory in Linguistics. *American Journal of Language, Literacy and Learning in STEM Education (2993-2769)*, 1(10), 624-626.
5. <https://uz.wikipedia.org/wiki/Kooperatsiya>
6. https://uz.wikipedia.org/wiki/Axborot_tehnologiyalari

MAQSUD YOSHLIGIDA ZIYRAK, SINCHKOV, SHIJOATLI.

Toshkent davlat transport universiteti
Boyxurozov Diyorbek Sherzod o'g'li

Annotatsiya. Ustoz Maqsud Shayxzodaning eng go'zal asarlari o'ziga xos o'rin egallaydi. Umumturkona so'zlarning serma'no tovlanishi, mohirona topilgan qofiyalarning qo'llanilishi, badiiy vositalarning ta'sirchanligi singari uslubiy fazilatlari maftunkor tafakkurli Shayxzoda lirik qahramonini o'quvchiga yanada hammaslak va hamfikir qiladi.

Kalit so'zlar: Maqsud Shayxzoda, asar, badiiy, taqdir, vatan, Ozerbajon, shoir.

Nizomiy vatanida tug'ilgan Shayxzoda falakning gardishi bilan o'zbek tuprog'iga kelib qolib, hayotining baxtli va fojiali kunlarini shu yerda kechirdi. Shu yerda shoir, dramaturg, adabiyotshunos olim, tarjimon va pedagog sifatida shakllanib, o'zbek adabiyoti, adabiyotshunosligi va tarjima maktabi taraqqiyotiga ulkan hissa qo'shdi. 1978 yili Maqsud Shayxzoda tavalludining 70 yilligi dastlab Toshkentda, so'ngra Bokuda zo'r tantana bilan nishonlandi. Qardosh mamlakatdagi yubiley tadbirlarida ishtirok etish uchun bir necha o'zbek shoir va adabiyotshunoslari Bokuga bordilar. Ozarbayjon poytaxtidagi yubiley tantanalari yakunlangach, mehmonlar shoirning bolalik yillari kechgan Oqtoshga yo'l oldilar. Oqtosh shahriga kiraverishdagi birinchi ko'cha ham, shu ko'chada savlat to'kib turgan maktab-internat ham o'zbek shoirining nomi bilan atalgan edi. Bino oldida Shayxzoda haykali bo'lib, mehmonlar shu haykal poyiga gulchambar qo'yanlaridan keyin, shoirning o'quvchilik yillari o'tgan tabarruk maktabni, u o'qigan sinfni, shoir hayoti va adabiy faoliyatiga bag'ishlangan muzeyni katta hayajon bilan tomosha qildilar. Adabiy kechada shoirning oqtoshlik o'quvchilar ijrosidagi asarlarini diqqat-e'tibor bilan tingladilar. O'zbek va ozarbayjon tillarida yangragan bu asarlar ikki qardosh xalqni bir-biri bilan butun umrga bog'lagan shohi rishtalar bo'lib ko'rindi. Shoirning mashaqqatli hayoti kechgan, barcha yetuk asarlari maydonga kelgan, ijodiy mehnati singgan mamlakatda bunday haykal va muzeyning, uning nomi bilan atalgan qariyb biror manzilning yo'qligi esa ularda afsus va nadomat tuyg'ularini uyg'otdi. Oqtosh kichik bir shahar bo'lgani uchun shoir haykali qad ko'targan gulzor shaharchaning ziyoratgoh manzillaridan biri bo'lib qolgan ekan. Yangi turmush bo'sag'asida turgan kelin va kuyovlar shoir haykali poyiga gul qo'yib, do'stlik va xushbaxtlikning bu otashin kuychisini ziyorat etar ekanlar.

Ushbu unutilmas safarda ishtirok etgan kishilardan biri, Shayxzoda asarlarini uzoq yillar davomida to‘plash va nashr etish ishlari bilan mashg‘ul bo‘lgan Muhsin Zokirov safar xotiralari bilan o‘rtoqlashib, yozgan edi:

“Biz Maqsud Shayxzoda uy-muzeyini ham ziyorat qildik. Ikki qavatli chog‘roqqina bu uyda... Ma’sumbek bilan Fotimaxonim oilasida to‘ng‘ich farzand – bo‘lajak shoir Maqsudbek dunyoga kelgan. Shoirning enagasi to‘qson yoshga yaqinlashib qolgan Saboxonim o‘z oilasi bilan hali ham shu yerda istiqomat qiladi”.

Toshkentlik mehmonlar shoirning uy-muzeyini ziyorat etganlaridan keyin shahar jamoatchiligi bilan uchrashuv, so‘ngra qishloq xo‘jalik texnikumida Shayxzodaning 70 yilligiga bag‘ishlangan adabiy kecha bo‘lib o‘tdi. Bu kechaga Oqtosh ziyolilari yog‘ilib keldilar. Ular orasida Shayxzoda bilan bir maktabda o‘qigan, u bilan tepishib katta bo‘lgan Idris Aliev ham bo‘lib, u mazkur maktabga hamon rahbarlik qilayotgan edi. U o‘zbek diyorining elchilari bilan qilgan suhbatida shoir haqidagi qimmatli xotiralarini hikoya qilib, bunday dedi:

“- Biz, Maqsud, Said, Shohid bir sinfda o‘qirdik. Oqtoshda biz ta’lim olgan bilim dargohi inqilobdan ancha avval Maqsudning otasi Ma’sumbekning sa’y-harakati tufayli tashkil topgan yangi usuldagi yagona maktab bo‘lgan. Ma’sumbek maktab va o‘quvchilar ahvolidan tez-tez xabar olib turardi. Peterburg universiteti5ning tibbiyot fakultetini tugatgan bu ma’rifatparvar zot shaharning eng obro‘li kishilaridan edi. Inqilobdan so‘ng mazkur o‘quv maskani ilk sovet maktabiga aylantirildi. Bu borada ham Ma’sumbek muallimning faol ishtiroki bor. O‘rni kelganda aytay: Maqsudning onasi Fotimabegim dugonalari Fotimaxon va Ozodabegim bilan birgalikda Oqtoshda xotin-qizlar sho‘basini tashkil etib, ayollar ozodligi yo‘lida kurash boshlagan birinchi onaxonlarimizdandir. Xalq ularni “qo‘sh Fotima va bir Ozoda”, deb mehr bilan tilga olar edi.

Maqsud yoshligida o‘zi ham tinib-tinchimas, bizlarga ham tinchlik bermas edi... Ziyrak, sinchkov, shijoatli, bir ishni boshladimi, oxiriga yetkazmay qo‘ymaydigan yigit edi u...”

Idris Aliev Shayxzoda bilan “rushdiya” maktabida o‘qigan kezlari haqida hikoya qilar ekan, bir voqeani eslamay o‘tolmaydi. Bu, hali dramaturgiya nimaligini bilmagan Shayxzoda “pesa”sining o‘quvchilar ijrosida namoyish etilishidir. Shayxzodaning o‘zi ham bolalik davrining shirin xotiralaridan biri – shu voqeani Jamol Muharramliga yozgan xatida bunday eslagan: “1923 yilda yozgan “28 aprel inqilobi” pesam sahnaga qo‘yildi. Bu pesaning sahnaga qo‘yilishida Xalil Amin, Ismoil6 Aliev (hozirgi “Izvestiya” muxbiri Elza Alieva7ning otasi, Ne’mon Mammadli va Said Rustamov (hozirda mashhur bastakor) kabi yor-birodalar ishtirok etishgan”.

Modomiki, bahs Maqsudda ijod maylining uygʻonishi bilan bogʻlangan ekan, shu masalaga bir oz oydinlik kiritish ayni muddao. Shayxzoda hayotining soʻnggi yillarida eʻlon qilgan tarjimai holida shu masalaga toʻxtab, bunday soʻzlarni yozgan: “...Men agar kitobxonlarimga, hali alifboni egallamasdan oldin sheʻr yaratganman, deb aytsam, ular balki mening bu gapimni yo hazil, yoki kinoyaviy maʼnoda bir mubolagʻadur, deb talqin qilishlari mumkin. Ammo bu chin gap. Mening otam rahmatlik (oʻz zamonasining ilgʻor ziyolisi, doktor) odatda bolalarga sheʻr oʻqib berar va keyin ayrim soʻzlarni aytib berib, shu soʻzga mos qofiya topishni bizlardan talab qilar edi. Qofiya ham vazn ohangiga qulogʻim oʻrganib ketib, men besh yasharligimda 8 - 10 misradan iborat bir masal toʻqiganim esimda. Albatta, muayyan fikr va syujetdan xoli boʻlgan bu “masal” boʻri bilan olmaxon haqida toʻqilgan edi. Har qalay, sheʻrga muhabbat umrimning ilk yillaridan boshlab qonimga, qalbimga, fikrimga singib ketganini jurʼat bilan ayta olaman”.

Shunday qilib, Shayxzoda “rushdiya” maktabida barcha fanlardan aʻlo baholar olib oʻqish bilan birga sekin-asta sheʻrlar ham yoza boshladi. Maqsuddagi sheʻriy isteʼdod kurtaklarini koʻrgan muallimlar uning eʼtiborini oʻsha davr uchun ahamiyatli boʻlgan mavzularga qaratib, shu mavzularda sheʻrlar yozishni maslahat berdilar.

1920 yilning soʻnggi kunlari edi... Ozarbayjonda sovet hokimiyatining oʻrnatilishi munosabati bilan Oqtoshga taniqli inqilobchi Narimon Narimonov keladigan boʻldi. Mashhur inqilobchining olis bir shaharchaga tashrifini oqtoshliklar katta shodiyona bilan qarshi oldilar. “Rushdiya” maktabi Oqtoshdagi koʻrkam binolardan biri boʻlgani uchun Narimon Narimonov bilan uchrashuv shu yerda oʻtdi. Taniqli davlat arbobining uzundan-uzoq nutqidan keyin soʻz Maqsudga berildi. U “qoʻlbola” sahnaga koʻtarilib, muallimlarining “buyurtma”si bilan yozilgan “Girmizi askar nagʻmasi” (“Qizil askar qoʻshigʻi”) degan sheʻrini bolalarga xos koʻtarinki ruh bilan oʻqidi. Sheʻrning:

Qizil oʻrdu nomimiz,

Yigitdir unvonimiz.

Mazlumlar koʻp jang qilgan,

Xalol boʻlsin qonimiz.

Bayrogʻimiz, shonimiz,

Usmonli unvonimiz.

Vatan - bizning jonimiz,

Xalol boʻlsin qonimiz, -

degan satrlari jaranglashi bilan qarsaklar chalina boshladi. Narimon Narimonov havaskor shoirning oldiga kelib, uni quchoqlab oʻpdi. Soʻng u yozgan sheʻrni olib

ketib, Bokuda nashr etilgan “Kommunist” gazetasining 1921 yil 12 dekabr sonida chop ettirdi. Bu, Shayxzodaning matbuotda e’lon qilingan ilk she’ri bo’lib, u shu vaqtda endigina 13 yoshga to’lgan edi.

Bu xotira so’zlarini o’qir ekanman, yuragimda yigirma yoshida ona yurtidan surgun qilingan shoirning ilk she’riy mashqlarini mehr bilan to’plab, saqlab, uning xotirasini Oqdosh shahri miqyosida abadiylashtirishga katta hissa qo’shgan bu ajoyib insonga nisbatan hurmat tuyg’ularim jo’sh urib ketadi.

FOYDALANILGAN ADABIYOTLAR:

1. Mamurova, F., & Ataxanov, O. (2024). MAQSUD SHAYXZODA HA YOTI HAQIDA. Akademicheskie issledovaniya v sovremennoy nauke, 3(10), 111-116.
2. Mamurova, Feruza, and Durdon Obutjonova. "DESCRIBING MAKSUD SHAIKZODA." Current approaches and new research in modern sciences 3.4 (2024): 5-8.
3. Obutjonova, D. (2024). O’ZBEK VA OZARBAJON XALQINING SEVIMLI SHOIRI. Akademicheskie issledovaniya v sovremennoy nauke, 3(10), 103-105. Mamurova F.I. i Durdon O. (aprel 2024 g.). MAKSUD SHAYXZODANING «MIRZO ULUGBEK"ASARI TALILI. V Mejdunarodnoy globalnoy konferensii (Tom 1, № 6, str. 79-81).
4. Durdon, O., & Mamurova, F. I. (2024, April). MAQSUD SHAYXZODA “TOSHKENTNOMA”. In International Global Conference (Vol. 1, No. 5, pp. 148-152).
5. Mamurova, F., & Obutjonova, D. (2024). MAQSUD SHAYXZODANING “JALOLIDDIN MANGUBERDI” DRAMASINING YOZILISH TARIXI VA VATANGA BO’LGAN MUHABBATI, JASORATINING IFODALANISHI. Akademicheskie issledovaniya v sovremennoy nauke, 3(12), 13-16.
6. Mamurova, F., & Obutjonova, D. (2024). DESCRIBING MAKSUD SHAIKZODA. Current approaches and new research in modern sciences, 3(4), 5-8.
7. Durdon, O., & Islamovna, M. F. (2024, March). SHAYXZODA SIYMOSIGA TA’RIF. In International Global Conference (Vol. 1, No. 1, pp. 188-191).
8. Mamurova, F., & Qodirov, I. (2024). MAQSUD SHAYXZODANING “TOSHKENTNOMA”-SHUKRONALIK DOSTONI. Молодые ученые, 2(6), 87-89.
9. Islamovna, M. F. (2024). THE PLACE OF MAKSUD SHEIKZODA'S LIFE AND CREATION IN UZBEK NATIONAL LITERATURE. MEDITSINA, PEDAGOGIKA I TEXNOLOGIYA: TEORIYA I PRAKTIKA, 2(2), 471-474.

10. Mamurova, F. I., & ugli Abdubahabov, A. A. (2023). TWO FOLK POETS. "TRENDS OF MODERN SCIENCE AND PRACTICE", 1(3), 23-30.
11. Islomovna, M. F., & Abduvoxob o'g'li, A. A. (2023, January). Maqsud Shayxzodaning Hayoti Va Ijodi. In Interdisciplinary Conference of Young Scholars in Social Sciences (USA) (pp. 19-20).
12. Mamurova, F. I. (2021, May). ARTIST OF UZBEKISTAN MAKSUD SHEIKHZADE. In E-Conference Globe (pp. 176-178).
13. Islamovna, M. F. (2024, January). MAQSUD SHAYKHZADEH-TWO FOLK DILBANDI. In INTERNATIONAL CONFERENCE ON MODERN DEVELOPMENT OF PEDAGOGY AND LINGUISTICS (Vol. 1, No. 1, pp. 189-192).
14. Islomovna, M. F. (2024). O 'ZBEK ADABIYOTINING ATOQLI NAMOYANDALARIDAN BIRI MAQSUD SHAYXZODNING "JALOLIDDIN MANGUBERDI" ASARI. Yangi O'zbekistonda Tabiiy va Ijtimoiy-gumanitar fanlar respublika ilmiy amaliy konferensiyasi, 2(1), 89-92.
15. Islamovna, M. F. (2024). THE CREATION OF MAQSUD SHAYKHZODA-AS A GOLDEN LEGACY. " XXI ASRDA INNOVATSION TEXNOLOGIYALAR, FAN VA TA'LIM TARAQQIYOTIDAGI DOLZARB MUAMMOLAR" nomli respublika ilmiy-amaliy konferensiyasi, 2(1), 90-93.

SECURITIES MARKET DEVELOPMENT IN THE REPUBLIC OF UZBEKISTAN

Abdurahmanov Umid Komiljonovich

Master Higher school of business and entrepreneurship
under the cabinet of Ministers of the Republic of Uzbekistan

Email: umidajona915@gmail.com

Abstract: The article examines the opinions of the world's leading scientists on the investment environment in our country and the influence of the financial market on it. Also, the current state of the financial market in our country was analyzed. In particular, the analysis of the movement of the stock market and the corporate bond market in the regions were carried out based on statistical data. Reasoned conclusions and suggestions on revealing the positive role of the financial market in the investment environment our country have been developed oath recommendations for implementation in our country have been made.

Key words: Investment environment, financial market, stock, bond joint-stock company stock

INTRODUCTION

The world experience shows that the countries economically progressive reach level and population soul per head right coming national high income with depends the most important indicators, including (fund in the market the large number of types of securities in circulation and high liquidity, shareholding society (AJ)s high dividend policy, the stock market trade systems (improvement) highly developed stock market is particularly valuable relative to the gross domestic product (GDP) of stock market capitalization explained by the high percentage. "Stock market trading turnover to the volume of GDP relatively foreign from countries in Hong Kong 1200 interest, in Singapore 188 interest, 149 percent in the USA, 127 percent in Japan, 112 percent in Malaysia, South Korea 87 percent, 46 percent in China, 34 percent in Russia, 22 percent in Kazakhstan, 19 percent in Turkey percent, and the global indicator is 93 percent" [1]. Fund in world countries markets different level developed being macroeconomic plans work exit and in the financing of large investment projects, including foreign capital flows and one of the important tools in attracting savings funds through the stock market being remains.

Analysis and results discussion. of the country complex development scientific research on providing and increasing the attractiveness of the investment

environment conducting, first of all, researching the potential of the country and its regions, their assessment, classification of influencing factors, acquired interdependence aspects economic mathematics and econometric methods through open to give as mentioned, it is one of the tasks of this research . For this, analysis of experiences used in developed countries that brought high results achieve to success take came method and styles, factors Uzbekistan and his scientific-methodical and theoretical-practical proposal for implementation on the scale of regions, it is important to develop recommendations. Socio-economic development of regions situation expressive main index, his investment attractiveness is considered To the economy investments made amount, its dynamics in the country economic growth pace determiner main factor as investment resources sources formation and his stability territorial of development important structural part as confession reach possible Investments area in development main factor as to be considered in consideration when in the regions investment environment form, investment attractiveness in raising efficient marketing strategies use is important is important.

Uzbekistan in the Republic basically action and bonds according to experience there is being this emissive valuable of papers of the economy activity sectors quantity according to the following in the table data reflection delivered.

The number of issuers by shares and the volume of securities issued about information(2021 July 1 state)

Uzbekistan in the Republic shares (expensive of papers). fields according to distribution

Table 1

No	Economical activity field	Shareholding societies number	Output volume (billion dollar)	Action (piece)
	Total	600	143 157.07	12 496 885.36
1	Industry	150	68,023.47	2,710,809.34
2	Village economy	198	6 313.21	3 122 892.07
3	Services	173	19,902.11	191 362.78
4	That's it including finance sector	79	48,918.28	6,471,821.19

1- from the table our observation maybe 2021 of the year june to the situation 600 ta shareholding societies by issued total 143.15 trillion soum in quantity 12.49

trillion piece shares account is being conducted. of shares common in the portfolio stakes: state - 82.3 interest, economy management organs - 4.2 interest, other shareholders

- 7.6 interest, placing in the process shares - 5.9 interest organize is enough. Economy shares of management bodies in the charter fund of 205 joint-stock companies are 5.93 trillion amounted to soum. Assets of economic management bodies during the reporting period volume 90.3 billion increased to soum

Last in years shareholding societies by corporate bonds to practice basically of the economy financial in the sector applied is getting married. From the next table in the state enterprise "Central Depository of Securities". account being held corporate bonds the number and networks according to share to see possible (Table 2).

Corporate bonds, number of issuers and securities issued volume about information (2021 year 1 july state).

Uzbekistan in the Republic issued valuable of papers volume about information

2- from the table our observation maybe 2021 of the year june to the situation 600 ta shareholding societies by issued total 143.15 trillion soum in quantity 12.49 trillion piece shares account is being conducted. of shares common in the portfolio stakes: state - 82.3 interest, economy management organs - 4.2 interest, other shareholders

- 7.6 interest, placing in the process shares - 5.9 interest organize is enough. Economy shares of management bodies in the charter fund of 205 joint-stock companies are 5.93 trillion amounted to soum. Assets of economic management bodies during the reporting period volume 90.3 billion increased to soum

Last in years shareholding societies by corporate bonds to practice basically of the economy financial in the sector applied is getting married. From the next table in the state enterprise "Central Depository of Securities". account being held corporate bonds the number and networks according to share to see possible (Table 2).Corporate bonds, number of issuers and securities issued volume about information (2021 year 1 july state).

Uzbekistan in the Republic issued valuable of papers volume about information.

Table 2

Corporate bonds			
No	Issuers	Output volume (billion soums)	Number of bonds (million units)
	Banks	155.18	0.25
	Other emitters	428.13	0.091
1	Auto industry AK	50.0	0.05

2	Other responsibility limited societies	378.13	0.045
Total		583.30	0.341

26.6 percent of the total volume of corporate bonds, and of the total number 73.3 percent is accounted for by commercial banks. Issue of corporate bonds common of size 8.5 percent, total number while 14.6 percentage real of the sector active participant as "Auto Industry" To AK right is coming Other responsibility 64.8 of the total volume of corporate bond issuance to limited companies interest, total number while 13.2 percent correct will come

Issue prospectus of securities - the issuer and the security it issues papers about data, also of the investor valuable get papers about to the decision effect to show possible has been another information reflection bringer documents.

Accumulation of basic knowledge and innovations in centers, production of forces comfortable location, high infrastructure of objects existence in most cases, the flow of investments in these regions is also high provides. And on the contrary socio-economic poor and ecological in terms of noob the increase of social tension in the regions, the rise of various types of crimes, religious and even political of conflicts face to give observed. The majority and investors do not risk investing in such areas. To eliminate the occurrence of these negative situations, to prevent them state by regional-regional taking politics will go

CONCLUSIONS AND SUGGESTIONS.

Our country is democratic based on market economy financial markets as it aims to build a legal state is important. Increasing the role of financial markets in the economy is direct the liberalization of their activities, the application of market laws and it requires a thorough study of the factors affecting it. Therefore, it is chosen topic first of all political, economic and legal in terms of complexity if secondly, with many new problems that are being implemented in the republic closely related, and thirdly, scientific by analyzing various statistical data draw conclusions demand is to do.

in Uzbekistan investment environment improvement the following in directions done increase to the goal compatible with: of soum value raise; of reforms step by step done increase account received without tax system scientific based improvement; put an end to cases of administrative injunction; in Uzbekistan shareholding of societies action authority and his liquidity increase, foreign investors to them attraction eat to know securities the market development.

The economy diversification to do conditions straight away foreign commercial banks in order to further expand the scale of investment attraction to increase the scope of investment operations related to securities to the goal is appropriate.

REFERENCE

1. Botirjon o'g'li, M. B., Xasanboy, S. D., & Akmaljon o'g'li, A. X. (2022). ISH BILAN BANDLIGINI OSHIRISHDA MEHNAT BOZORINING TA'SIRI. PEDAGOGS jurnali, 12(1), 4-10.
2. Botirjon o'g'li, M. B., & Hasanboy o'g'li, S. D. (2022). Organization and increase of activity of small industrial zones.
3. Muhammadjonov, B. B. O. G. L., & Xudayberdiyev, O. A. (2022). O'ZBEKISTONDA FAOLIYAT YURITAYOTGAN KICHIK SANOAT HUDUDLARI RIVOJLANISHINING ISTIQBOLLARI. Academic research in educational sciences, 3(1), 265-273.
4. O'G'LI, M. B. B. (2021). ESTABLISHMENT AND ACTIVITY OF SMALL FREE ECONOMIC ZONES IN THE TERRITORY OF UZBEKISTAN. International Journal of Philosophical Studies and Social Sciences, 1(2), 156-159.

EVOLUTION OF WORLD MONETARY SYSTEMS AND STAGES OF ITS DEVELOPMENT

Yusupov Erkinjon Odiljonivich

Master Higher school of business and entrepreneurship
under the cabinet of Ministers of the Republic of Uzbekistan

Email: yerkinjon@inbox.ru

The world monetary system is an international monetary and credit system, formed as a result of the development of the world market and strengthened by agreements concluded between states. The main elements of the world monetary system are: national and world currency units in reserve, the mechanism of the gold ratio and exchange rates of currencies, the condition of mutual repayment, the volume of restrictions, the form of international settlements, the structure of the international currency and gold markets, the status of interstate monetary and credit organizations that manage currency relations, etc. There are 3 world monetary systems:

- a) a system that arose at the end of the 19th century on the basis of the gold and silver standard;
- b) a system that arose on the basis of the gold standard. This system was legally formalized in 1944 at the US and Bretton Woods conferences;
- c) in 1971, the US refused to exchange its dollar at the official price of gold, and the long-standing system of the International Monetary Fund, which was determined by the price of gold on the world market, collapsed. In 1976, in accordance with the agreements of the countries that were members of the International Monetary Fund, a “Floating Managed Exchange Rate System” was established. According to it, the countries that are members of the IMF have the right to independently choose their exchange rates.

The evolution of world currency systems is guided by indicators of reproduction. It is determined not only by the main stages of development of the world, but also by the national economy. Sometimes the principles of the world currency system begin to contradict the structure of the world economy, do not correspond to the distribution of resources between the main centers. This leads to the emergence of an IMF crisis. Currency contradictions arise as a result of the inconsistency between the structural principles of the world mechanism and the variability of the conditions of production, trade and the distribution of world power. The evolution of world currency systems, which will be briefly described below, is determined by the needs of the national and world economy, the need to change the balance of power. Only

flexibility and variability, the ability to adapt to the state of financial instruments, have become the basis for the existence and development of modern society.

Let's consider the stages of the evolution of the world monetary system:

- The Paris system of 1867, known as the "gold standard". Each national currency was distinguished by its gold content, from which it was exchanged for other currencies or gold. There was a floating exchange rate.
- The Genoa system of 1922, known as the "gold standard". In addition to gold reserves, each currency in the world was backed by the currency of the leading economic power, mainly the British pound sterling.
- The Bretton Woods system of 1944, known as the "dollar standard". A prerequisite for the formation of the system was the active development of America in the post-war period. Gold was used in limited quantities.
- The Jamaican system of 1976-78, known as the "Special Credit Measures Standard". The SDR acted in the form of assets (specialized entries in the IMF accounts). The introduction of the SDR was explained by the desire of all countries of the world to ensure stability in terms of international mutual settlements.

Gold standard

The evolution of world monetary systems began with the "gold standard", which was in force from 1867 to the 1920s. The formation of the financial structure occurred spontaneously. The main impetus for the Paris MSS was the industrial revolution of the 19th century and the expansion of international trade on the gold coin standard. The main characteristics of the financial system were the following provisions:

- The gold supply of national currencies was strengthened.
- Gold played the role of a universal means of payment and world money.
- Banknotes issued by the Central Bank were freely convertible into gold. Exchange rates were based on gold parities. Deviations in the exchange rate were allowed within the framework of monetary parities that formed a strictly fixed rate.
- Pound sterling was recognized in international circulation along with gold.
- The internal money supply corresponded to the gold reserves of states, which automatically regulated the balance of payments.
- The deficit in the balance of payments was covered by gold.
- Gold could move freely between the states.

This stage of development was not the most effective, nor was it the peak that the evolution of the world monetary system eventually reached. The Paris monetary system suffered from non-compliance with the rules of the world financial market participants. The flow of gold between states did not always occur. England

occupied the position of the main financial state, regulating not only bank interest rates, but also the flow of gold. The main reason for the successful development of the “gold standard” was not its effectiveness as a system, but the calm development of the world economy in the pre-war period.

Gold Exchange Standard

- The stages of the evolution of the world monetary system include the dominance of the "gold standard" from 1922 to the 1930s. After the end of World War I and the restoration of all foreign economic relations between countries, the need arose to form a new MFS. At the Genoa conference, the issue of the lack of gold in capitalist countries to regulate relations in the segment of foreign trade settlements and other transactions was raised. In addition to gold and the British pound sterling, it was decided to introduce the American dollar into circulation. The two currencies took on the role of an international means of payment and received the name of the motto. The system was adopted by Germany and Australia, Denmark and Norway. In terms of its principles, the system almost completely corresponded to its predecessor, the Paris system. Gold parities were preserved, and the role of world money was still entrusted to gold. At the same time, the evolution of world monetary systems led to the fact that certain national banknotes were exchanged not for gold, but for other currencies, called shillings, which were later exchanged for gold bullion.

- Dollar standard

- In 1944, 44 countries of the world gathered for an international conference in Bretton Woods. An agreement was reached to form a regulated structure of correlated exchange rates. The system lasted from 1944 to 1976. Its main features were:

- • The role of world money became gold. In parallel, currencies such as the dollar and the pound were used.

- • International financial institutions were established: the International Monetary Fund (IMF) and the World Bank for Reconstruction and Development (WBRD). The main task of the organizations was to regulate financial relations in the world between the countries that were members of the system. All countries that became members of the IMF automatically became members of the World Bank.

- • A system of adjustable rates was introduced, which allowed the exchange rate to be maintained at the same level or adjusted by prior agreement with the IMF. It was planned to set the rates at a level that would allow countries to develop effectively due to the advantages of international trade and capital flows. Since it was not possible to implement this program, the rates were revised.

- • Make the dollar equal to gold. The evolution of the world monetary system (which will be briefly discussed in this article) led to the fact that all countries sought to have dollar reserves. Only America had the right to exchange currencies for precious metals at a rate of \$ 35 per ounce. The remaining states supported them by announcing the rates of their currencies in gold or dollars and buying or selling those dollars on the foreign exchange market.
- • Formation of an international reserve fund. The reserve contribution of each country was determined by the volume of international trade and amounted to 1/4 of gold or dollars and 3/4 of the national currency. It was the share in the fund that directly affected the authorized amount of foreign currency loans from the IMF.
- The evolution of world monetary systems, which can be briefly considered on the example of the standards prevailing in the world, led to the development of world monetary systems during the “dollar standard”. The economy began to be determined by the “big seven” countries. They accounted for about 44.8% of the votes. America owned 18%, and Russia 2.8%. This formed a kind of identity in which America and other countries of the “seven” could directly influence the adoption or rejection of any decisions. Since the emergence of this structure, a fairly large amount of material resources have been allocated for the development of many countries.
- Standard for special credit measures
- The evolution of the world monetary system, which will be briefly discussed in the article, did not stand still, and the “dollar standard” was replaced by the “standard for special credit measures”. It was adopted in 1976-1978 and is actively used today. The main characteristics of the Jamaican currency system can be considered the following provisions:
 - • A major abandonment of the gold standard.
 - • The demonetization of gold was officially adopted. The role of the precious metal as a global means of payment was abolished.
 - • Gold parities were prohibited.
 - • Central banks retained the right to buy and sell gold as a common commodity on the free market at a fixed price.
 - • The adoption of the SDR standard, which can be used as world money, as well as the basis for calculating exchange rates, official assets. The SDR is actively used as a basis for accounting records for international settlements and as a unit of account of the IMF.
 - • The role of reserve currencies was assigned to the US dollar and the German mark, the pound sterling and the Swiss franc, the Japanese yen and the French franc.

- The exchange rate is floating, formed by supply and demand in the foreign exchange market.
- States have the right to independently determine the regime of their national exchange rates.
- Frequency fluctuations are out of control.
- The formation of closed currency format blocks, which are considered participants in the IMF, was legalized. A striking example of this type of education is the European Monetary System (EUR).

REFERENCE:

1. Botirjon o'g'li, M. B., Xasanboy, S. D., & Akmaljon o'g'li, A. X. (2022). ISH BILAN BANDLIGINI OSHIRISHDA MEHNAT BOZORINING TA'SIRI. PEDAGOGS jurnali, 12(1), 4-10.
2. Botirjon o'g'li, M. B., & Hasanboy o'g'li, S. D. (2022). Organization and increase of activity of small industrial zones.
3. Muhammadjonov, B. B. O. G. L., & Xudayberdiyev, O. A. (2022). O'ZBEKISTONDA FAOLIYAT YURITAYOTGAN KICHIK SANOAT HUDUDLARI RIVOJLANISHINING ISTIQBOLLARI. Academic research in educational sciences, 3(1), 265-273.
4. O'G'LI, M. B. B. (2021). ESTABLISHMENT AND ACTIVITY OF SMALL FREE ECONOMIC ZONES IN THE TERRITORY OF UZBEKISTAN. International Journal of Philosophical Studies and Social Sciences, 1(2), 156-159.



THE VISIONARY ASTRONOMER OF SAMARKAND

Safarova Maryam Tuxtamurod qizi

Termiz State Pedagogical Institution

EMAIL ADDRESS: Safarovamaryam009@gmail.com

Supervisor: Teacher at TerSPI Khaitova G

ABSTRACT

This article delves into the life and scientific legacy of Mirzo Ulugbek, a 15th-century Timurid ruler, astronomer, and mathematician, who transformed Samarkand into a center of intellectual and scientific achievement. As the founder of the Ulugbek Observatory, he developed advanced astronomical instruments and compiled the Zij-i-Sultani, one of the most precise star catalogs of its time. Despite political challenges, his work endured, influencing both Islamic and European astronomers.

KEY WORDS: Ulugbek Observatory, Zij-i-Sultani, trigonometry, Islamic Golden Age, scientific legacy, intellectual hub, scholarship

АННОТАЦИЯ

В данной статье рассматривается жизнь и научное наследие Мирзо Улугбека, правителя, астронома и математика XV века из династии Тимуридов, который превратил Самарканд в центр интеллектуальных и научных достижений. Основав обсерваторию Улугбека, он создал передовые астрономические инструменты и составил Зидж-и-Султани, один из самых точных звездных каталогов своего времени. Несмотря на политические трудности, его работы оказали влияние на исламских и европейских астрономов.

КЛЮЧЕВЫЕ СЛОВА: Самарканд, обсерватория Улугбека, Зидж-и-Султани, тригонометрия, Золотой век ислама, научное наследие, интеллектуальный центр, наука.

ANNOTATSIYA

Ushbu maqolada 15-asrning temuriy hukmdori, astronomi va matematik olimi Mirzo Ulug‘bekning hayoti va ilmiy merosi haqida so‘z yuritiladi. Samarqandni ilmiy va madaniy markazga aylantirgan Ulug‘bek, Ulug‘bek rasadxonasi asoschisi sifatida zamonaviy astronomik asboblarni yaratib, o‘z davrining eng aniq yulduzlar kataloglaridan biri bo‘lgan Zij-i Sultonini tuzgan. Siyosiy qiyinchiliklarga qaramay, uning ishlari davom etib, islom va Yevropa astronomlariga ta'sir ko'rsatdi.

KALIT SO‘ZLAR: Ulug‘bek rasadxonasi, Zij-i Sultoni, trigonometriya, Islom Uyg‘onish davri, ilmiy meros, ilmiy markaz, ilmiy izlanishlar.

INTRODUCTION

Mirzo Ulugbek, born on March 22, 1394, in Sultaniyeh, Persia, was not only a powerful Timurid ruler but also one of the most renowned astronomers and mathematicians of the 15th century. He was the grandson of Amir Timur (Tamerlane), the founder of the Timurid Empire, and grew up in a time of cultural and scientific flourishing in Central Asia. Known for his unwavering dedication to knowledge and science, Ulugbek made remarkable contributions to the fields of astronomy and mathematics, cementing his legacy as a pioneer of the Islamic Golden Age.

MAIN PART

Raised in a royal family, Ulugbek was exposed to scholarly influences from a young age. His early education covered a range of subjects, including literature, philosophy, mathematics, and the sciences. Samarkand, his home city, was a center of intellectual and cultural exchange, attracting scholars from across the Islamic world. Under the guidance of prominent teachers, Ulugbek developed a keen interest in astronomy, a field that would define his life's work.

At the age of 16, Ulugbek became the governor of Samarkand, and he later assumed power over much of the Timurid Empire. [5]Rather than focusing solely on conquest, he promoted scholarship and established Samarkand as an intellectual hub. His court became a center for scientists, philosophers, poets, and artists.

One of Ulugbek's most lasting achievements was the establishment of the Ulugbek Observatory in 1428–1429, an advanced scientific institution for its time. Located on a hill outside Samarkand, the observatory was equipped with a massive sextant for observing stars, with a radius of approximately 40 meters. This instrument allowed for precise measurements, setting a new standard in observational astronomy.

Ulugbek's observatory led to the creation of the Zij-i-Sultani, one of the most accurate star catalogs of the time. This catalog included positions for 1,018 stars and offered precise calculations of planetary orbits and eclipses.[4]His measurements of the length of the year and the inclination of the Earth's axis were astonishingly accurate, differing from modern measurements by only a few seconds. The Zij-i-Sultani became a critical reference for astronomers worldwide and is still recognized for its scientific rigor.

Beyond astronomy, Ulugbek also contributed to mathematics. He encouraged the study of trigonometry, developing accurate trigonometric tables and advancing mathematical understanding in Central Asia. His work in mathematics was closely

tied to his astronomical studies, as accurate mathematical calculations were essential for precise star and planetary observations.

Despite his intellectual contributions, Ulugbek faced intense opposition from conservative religious leaders and even within his family. His scholarly pursuits and liberal policies clashed with the traditionalist elements of society, creating political tensions. [1] These conflicts came to a tragic climax when Ulugbek was assassinated in 1449, reportedly orchestrated by his own son. Though his life was cut short, Ulugbek's legacy endured. The observatory in Samarkand fell into ruin after his death, yet his influence persisted in scientific communities around the world. The *Zij-i-Sultani* was translated into several languages and used by European and Islamic astronomers for centuries, contributing to the development of early modern astronomy.

In the 20th century, archaeological excavations in Samarkand uncovered the remains of Ulugbek's observatory, renewing interest in his contributions. Today, Mirzo Ulugbek is celebrated not only in Uzbekistan but globally as a symbol of intellectual curiosity and scientific excellence. His name is honored with various institutions, including universities and research centers, and his work continues to inspire modern scientists.

Ulugbek's rule was marked by an emphasis on enlightenment and education, an unusual focus for a ruler of his time. [2] Unlike many rulers who centered their reigns on territorial expansion, Ulugbek envisioned a society built on knowledge. He established numerous educational institutions, most notably the Ulugbek Madrasa in Samarkand, completed in 1420. The madrasa, one of the earliest universities in Central Asia, offered advanced studies in science, mathematics, astronomy, and philosophy. It attracted scholars from across the Islamic world and fostered an atmosphere where intellectual discourse was encouraged and celebrated.

The Ulugbek Madrasa was unique in its mission and design. The architecture itself reflected Ulugbek's commitment to knowledge, with inscriptions that emphasized the importance of science and education. [3] The madrasa became a hub for scholars and students alike, where advanced education was provided in both religious and secular subjects. Ulugbek's vision for a balanced education system that bridged science and spirituality marked a significant evolution in Islamic learning at the time. Ulugbek recognized the value of collaboration and surrounded himself with leading scholars and scientists, including the mathematician and astronomer Qadi Zada al-Rumi and the scientist and poet Ghiyath al-Din Jamshid al-Kashi. Together, this team produced groundbreaking work in mathematics and astronomy. Their research

led to unprecedented accuracy in astronomical calculations, proving the effectiveness of Ulugbek's collaborative approach to science.

Ulugbek's observatory was one of the most advanced in the world at the time, rivaling those in Europe and the Islamic world. The observatory's central instrument, a massive meridian arc, allowed for the precise observation of celestial bodies. [6] This arc was partially embedded underground to maximize accuracy, reflecting Ulugbek's emphasis on scientific precision. The observatory also included other instruments for measuring time and planetary movement, making it one of the earliest research facilities dedicated to systematic observation and data collection. The observatory was also ahead of its time in fostering a methodical approach to scientific observation. Ulugbek and his team meticulously recorded their findings, creating a database that could be referenced and built upon by future astronomers. The data they gathered through systematic observation laid the groundwork for the field of observational astronomy.

Ulugbek's work had a lasting impact far beyond Central Asia. The Zij-i-Sultani was not only popular in the Islamic world but also influenced European scientists. In fact, Ulugbek's measurements of the obliquity of the Earth's axis (the tilt that causes seasons) and the length of the solar year were among the most accurate measurements of their time. [7] This data was later used by European scientists during the Renaissance, marking Ulugbek as an important figure in the development of global science. His observations were referenced by notable scientists like Tycho Brahe and Johannes Kepler, establishing a link between the Islamic Golden Age and the scientific revolution in Europe.

In the 20th century, archaeologists rediscovered the ruins of the Ulugbek Observatory, sparking a renewed appreciation for his work. Scholars and scientists uncovered artifacts and parts of his astronomical instruments, demonstrating the sophistication of Ulugbek's observatory. This rediscovery emphasized Ulugbek's foresight and the value he placed on scientific rigor, leading to his legacy being revived in the modern era.

In Uzbekistan today, Mirzo Ulugbek's legacy continues to inspire. His dedication to knowledge, education, and scientific progress has become a source of national pride. Institutions such as the Mirzo Ulugbek National University of Uzbekistan carry forward his vision for an enlightened society. His story also teaches valuable lessons on the importance of inquiry, evidence-based knowledge, and the pursuit of learning—a message that resonates as strongly today as it did during his time.

CONCLUSION

Mirzo Ulugbek's life and work exemplify the power of knowledge and intellectual perseverance. As a ruler, he prioritized learning and inquiry, fostering a legacy that transcended the political turbulence of his era. His contributions to astronomy and mathematics established a foundation for future generations, reminding us of the timeless value of science. In remembering Mirzo Ulugbek, we celebrate a visionary who looked to the stars and expanded the boundaries of human understanding.

REFERENCES

1. Caiozzo, A. (2012). Propagande dynastique et célébrations princières, mythes et images à la cour timouride. *Bulletin d'études orientales*, 60, 177-201.
2. CHUVIN, P. (2010). La Renaissance timouride à Samarcande. *Les Dossiers d'archéologie (Dijon)*, (341), 74-76
3. Delen, M. (2017). Emir Timur ve yönetim ilkeleri. In *Journal of Social Policy Conferences* (No. 73, pp. 144-161). Istanbul University.
4. Shamsiev, A. (2019). Ulugh Beg's Contribution to Astronomy and Mathematics: The Zij-i-Sultani and Beyond. *Islamic Culture and Science Review*, 8(1), 13-30.
5. Tamerlanova, N. (2018). The Impact of Ulugh Beg's Astronomical Works on European Science. *Journal of Central Asian History*, 10(4), 34-50.
6. Vasieva Dilorom. (2020). Knowledge, science, culture during the Sahibkiran Amir Temur and Temurids. *Middle European Scientific Bulletin*, 3, 23-25. <https://doi.org/10.47494/mesb.2020.3.25>
7. ХАЛИЛОВ, Ф. (2024). ABOUT MIRZO ULUGBEK AND OTHER CENTRAL ASIAN SCIENTISTS WHO MADE A GREAT CONTRIBUTION TO THE DEVELOPMENT OF ASTRONOMY . *News of the NUUZ*, 1(1.10.1), 19-21. <https://doi.org/10.69617/nuuz.v1i1.10.1.4710>
8. JAHON MIQYOSIDA INGLIZ TILINI O'RGANISHNING O'RNI. (2024). *INTERNATIONAL SCIENTIFIC INNOVATION RESEARCH CONFERENCE*, 1(8), 59-61. <https://universalconference.us/universalconference/index.php/isirc/article/view/3276>
9. Хайтова, Г. (2024). Linguistic opposition as a philosophical category . *Актуальные вопросы лингвистики и преподавания иностранных языков: достижения и инновации*, 1(1), 56–58. <https://doi.org/10.47689/TOPICAL-TILTFL-vol1-iss1-2024-pp56-58>

10. Tovasharovna, K. G. (2023). The Origin of the Phonetical Opposition Theory in Linguistics. *American Journal of Language, Literacy and Learning in STEM Education* (2993-2769), 1(10), 624-626.
11. Xaitova, G. . (2024). INGLIZ VA O'ZBEK TILLARIDA "YAQIN-UZOQ" OPPOZITSIYASINING LINGVOKULTURALOGIK TADQIQI. *Hayka u texnologiya v sovremenном мире*, 3(1), 15–17. извлечено от <https://in-academy.uz/index.php/zdift/article/view/26059>
12. Xaitova Gulhayo Tovasharovna. (2024). MADANIY KONTEKST VA O'ZBEK TILIDAGI YAQIN-UZOQ OPPOZITSIYASINING QO'LLANILISHI . *Uz Conferences*, 2(4), 193–195. Retrieved from <https://www.uzresearch.uz/index.php/UC/article/view/642>

TABLE OF CONTENTS

1	ЧИГИТЛИ ПАХТАНИ САҚЛАШ МЕЪЁРЛАРИ У.П. Хайдаров	3-5
2	UNRESOLVED QUESTIONS FOR BARIATRIC SURGERY SURVEY RESTORERS Khamdamov I.B.	6-12
3	ANEMIYA POSLE BARIATRIЧЕСKIX OPERATSIY Khamdamov I.B.	13-18
4	MIGRATSIYA HUQUQI: TARIXIY ASOSLAR, IJTIMOIIY-IQTISODIY TA'SIRLAR VA ZAMONAVIY SIYOSATNING GLOBAL DINAMIKASI Dilshodbek Toshpo'latov	19-23
5	THE SECOND WORLD WAR AND ITS LASTING IMPACTS Isroil Avliyoqulov	24-26
6	UZBEKISTAN AND ITS ACHIEVEMENTS DURING THE PERIOD OF INDEPENDENCE Timur Ametov	27-31
7	PRINCIPLES BASED ON THE DEVELOPMENT OF STUDENTS' COMPETENCE IN DESIGNING MOBILE APPLICATIONS Feruz Tokhirov	32-34
8	LINGUISTIC ANTHROPOLOGY: CULTURAL ASPECTS OF THE ENGLISH LANGUAGE Malohat Ergasheva	35-39
9	THE ROLE OF THE ENGLISH LANGUAGE IN SOCIAL MEDIA: ITS USE AND IMPACT Sevara Salomova	40-42
10	ҲАРБИЙ ХИЗМАТЧИЛАРДА СТРЕССГА БАРҚАРОРЛИКНИ ОШИРИШГА ҚАРАТИЛГАН ТРЕНИНГ ДАСТУРИНИНГ МАЗМУН-МОҲИЯТИ. Н.Исмоилова	43-47
11	SUCCESS IN BUSINESS ANALYSIS M.T. Ziyadullayeva, Muxammadamin Nosirov	48-51
12	JALOLIDDIN MANGUBERDI – VATAN HIMOYACHISI N.Sharipova, Muhammadnozim Sherqo'ziyev	52-54
13	FOREIGN EXPERIENCE OF THE FINANCING OF HIGHER EDUCATION INSTITUTIONS J.T. Yuldoshev	55-58
14	JAHON MIQYOSIDA INGLIZ TILINI O'RGANISHNING O'RNI Qurbonova K.F., Xaitova G.T.	59-61
15	MAQSUD YOSHLIGIDA ZIYRAK, SINCHKOV, SHIJOATLI. Diyorbek Boyxurozov	62-66
16	SECURITIES MARKET DEVELOPMENT IN THE REPUBLIC OF UZBEKISTAN Umid Abdurahmanov	67-71

17	EVOLUTION OF WORLD MONETARY SYSTEMS AND STAGES OF ITS DEVELOPMENT Erkinjon Yusupov	72-76
18	THE VISIONARY ASTRONOMER OF SAMARKAND Maryam Safarova , Khaitova G	77-82
	OUTLINE	83-84